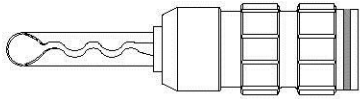
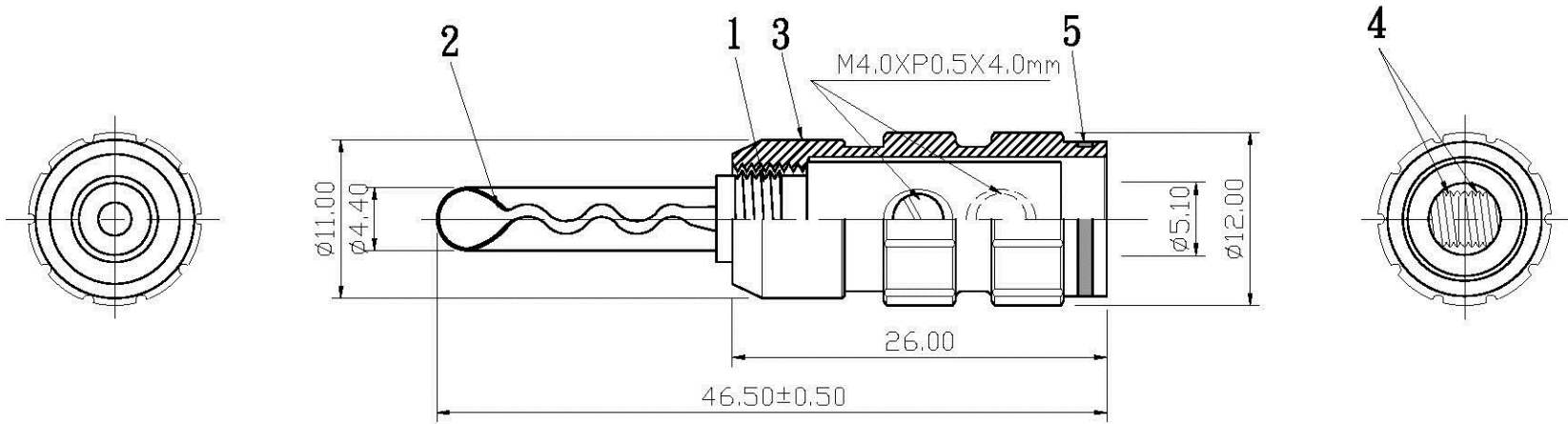


REMARK : RoHS REQUIREMENT APPLIED
(符合RoHS)



S 1 : 1

7						DIMENSIONS ARE IN MILLIMETERS UNLESS OTHERWISE PECIFIED TOLERANCES (一般公差) 0.5~6 = ±0.2 >6~30 = ±0.4 >30~120 = ±0.6 >120~315 = ±1 >315~1000 = ±1.6 ANGLES(角度) = ±5°	APPROVED	 www.allconnectors.de info@allconnectors.de Tel.: 0049 711 2009503 Fax: 0049 711 2009504 70794 Filderstadt - Germany
6					CHECKED		TITLE	
5	color ring	1	pvc	red/black/blue white/yellow/green			DRAWN	
4	screw	2	brass	gold	SCREW-106G-M4XP0.5X4.0mm		<i>Lala</i>	DRAWING NO.
3	shell	1	brass	satın silver			DATE	BP-209SSG(PB)-RD/BK/BE/WE/YW/GN-5.1
2	contact pin	1	phosphor bronze	gold	CP-BP-201G(PB)		2007. 10. 03	FILE NO. DRAWINGAUDIOBPBP-209SSG(PB)-RD/BK/BE/WE/YW/GN-5.1
1	body	1	brass	gold				
NO.	Description	Unit	Materials	Finish	Drawing No.	SCALE 2 : 1 UNIT MM		