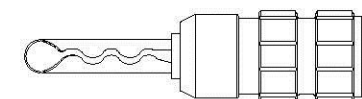
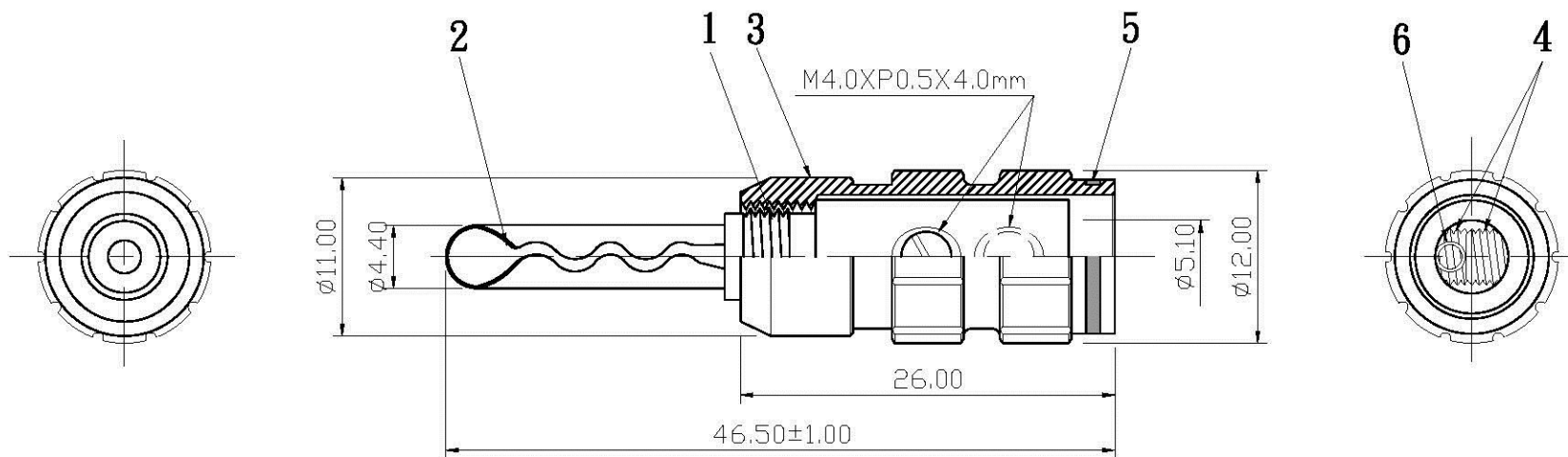


No.	DATE	DESCRIPTION	REV
▲	2009. 08. 31	update drawing 圖面更新	A



S 1 : 1

No.	Description	Unit	Materials	Finish	Drawing No.	SCALE	2 : 1	UNIT	MM	CHECKED	DATE	2007. 06. 08	DRAWN	Wing	TITLE	BANANA PLUG	DRAWING NO.	BP-208CG(PB)-RD/BK-5.1	FILE NO.	DRAWING\AUDIO\BPBP-208CG(PB)-RD/BK-5.1
7						DIMENSIONS ARE IN MILLIMETERS UNLESS OTHERWISE PECIFIED TOLERANCES (一般公差) 0.5~6 = ±0.1 >6~30 = ±0.15 >30~120 = ±0.2 >120~315 = ±0.3 >315~1000 = ±0.4 ANGLES(角度) = ±3°				CHECKED DRAWN <i>Wing</i> DATE 2007. 06. 08		 <small>www.allconnectors.de Tel: 0049 711 403503 70794 Filserstedt Germany</small> <small>info@allconnectors.de Fax: 0049 711 403504 Kellernstr. 25</small>				TITLE BANANA PLUG DRAWING NO. BP-208CG(PB)-RD/BK-5.1 FILE NO. DRAWING\AUDIO\BPBP-208CG(PB)-RD/BK-5.1				
6	sleeve	1	pvc	transparent																
5	color ring	1	pvc	red/black																
4	screw	2	brass	gold	SCREW-104G-M4XP0.5X4.0mm															
3	shell	1	brass	chrome																
2	contact pin	1	phosphor bronze	gold																
1	body	1	brass	gold																