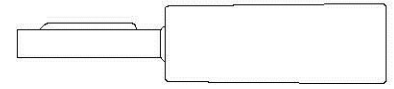
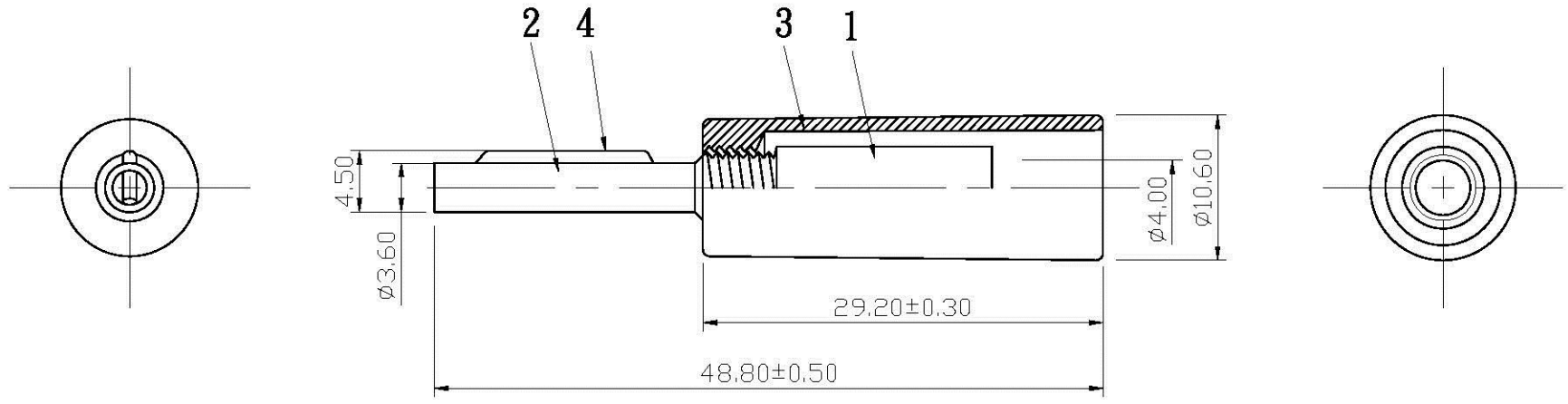


REMARK : RoHS REQUIREMENT APPLIED
(符合RoHS)



S 1 : 1

7						DIMENSIONS ARE IN MILLIMETERS UNLESS OTHERWISE PECIFIED TOLERANCES (一般公差) 0.5~6 = ±0.1 >6~30 = ±0.15 >30~120 = ±0.2 >120~315 = ±0.3 >315~1000 = ±0.4 ANGLES(角度) = ±3°	APPROVED	 www.allconnectors.de Tel.: 0049 711 7009303 70771 Tilderstadt - Germany info@allconnectors.de Fax: 0049 711 7009304 Kellnerstr. 25	
6					CHECKED		TITLE		
5					DRAWN		BANANA PLUG		
4	spring	1	brass	gold			<i>Tina</i>	DRAWING NO.	
3	shell	1	plastic	red/black			DATE	BP-207RD/BKPLG-4.0	
2	contact pin	1	brass	gold			2007. 10. 24	FILE NO.	
1	body	1	brass	gold				DRAWINTAUDIOBPBP-207RD/BKPLG-4.0	
NO.	Description	Unit	Materials	Finish	Drawing No.	SCALE	2 : 1	UNIT	MM