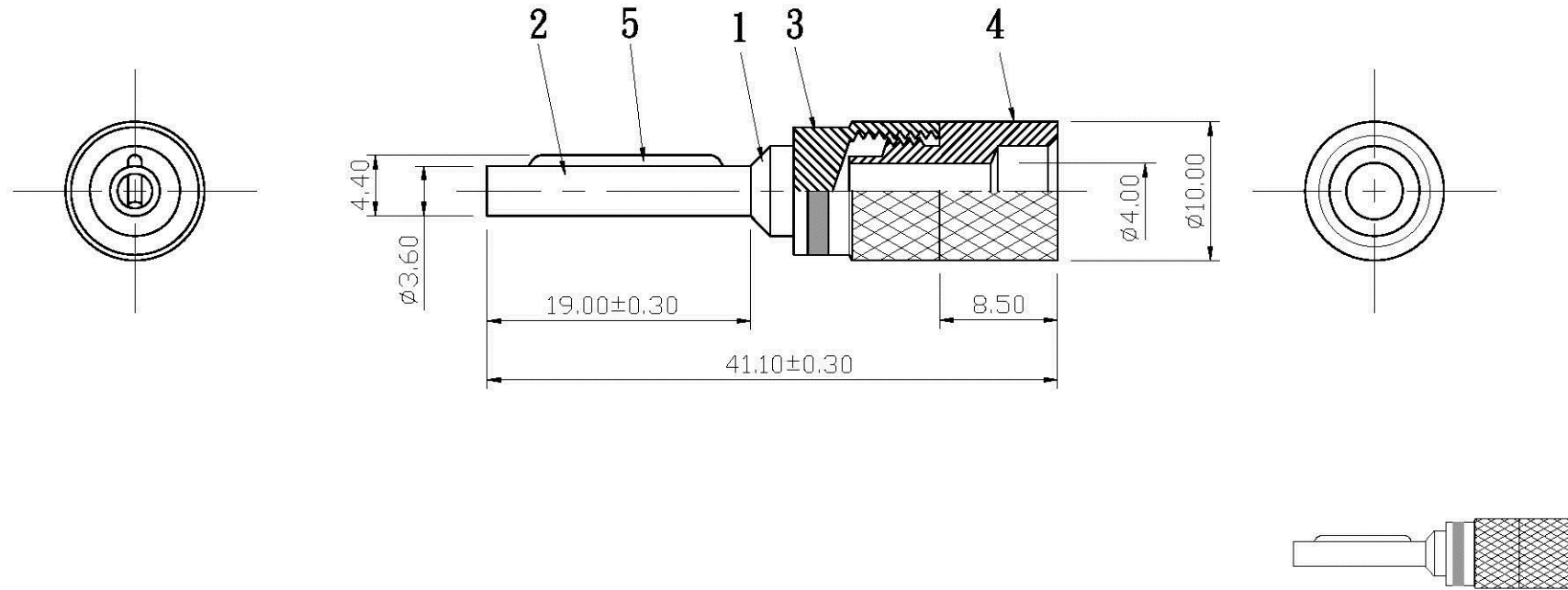



REMARK : RoHS REQUIREMENT APPLIED  
(符合RoHS)



S1:1

7						DIMENSIONS ARE IN MILLIMETERS  UNLESS OTHERWISE PECIFIED TOLERANCES (一般公差) 0.5~6 = ±0.2 >6~30 = ±0.4 >30~120 = ±0.6 >120~315 = ±1 >315~1000 = ±1.6 ANGLES(角度) = ±5°	APPROVED	 www.allconnectors.de Tel.: 0049 711 7009503 70794 Filderstadt - Germany info@allconnectors.de Fax: 0049 711 7009504 Kottenerstr. 25			
6					CHECKED		TITLE				
5	spring	1	brass	gold			BANANA PLUG				
4	headlock	1	brass	gold			DRAWING NO.				
3	color ring	1	painting	red/black/blue white/yellow/green			BP-205GG-RD/BK/BE/WE/YW/GN-4.0				
2	contact pin	1	brass	gold			FILE NO. DRAWINGAUDIOBPBP-205GG-RD/BK/BE/WE/YW/GN-4.0				
1	body	1	brass	gold		DATE					
NO.	Description	Unit	Materials	Finish	Drawing No.	SCALE	2 : 1	UNIT	MM	DATE	2007.09.03