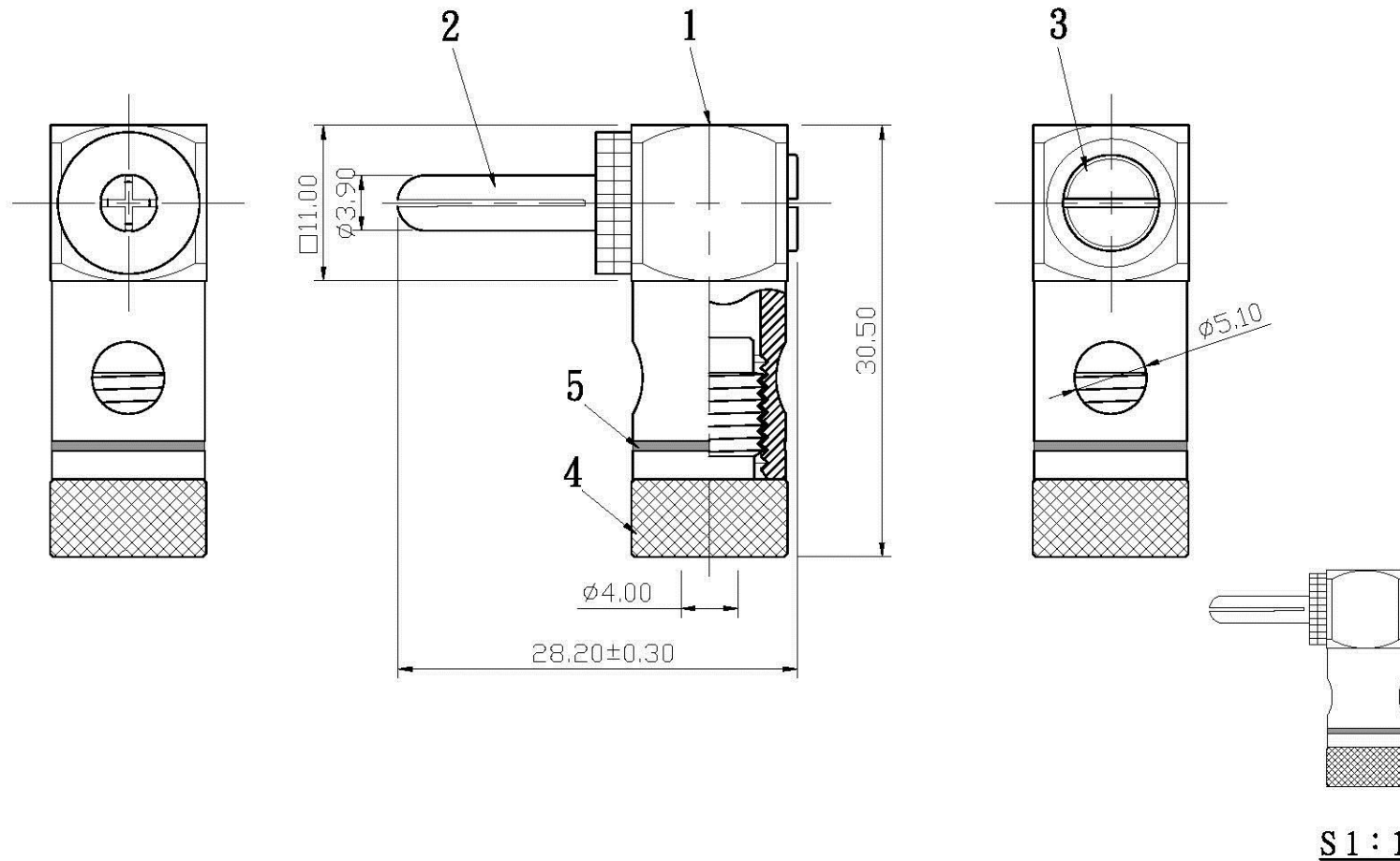


REMARK : RoHS REQUIREMENT APPLIED
(符合RoHS)



NO.	Description	Unit	Materials	Finish	Drawing No.	SCALE	2 : 1	UNIT	MM
7						DIMENSIONS ARE IN MILLIMETERS UNLESS OTHERWISE PECIFIED TOLERANCES (一般公差) 0.5~6 = ±0.2 >6~30 = ±0.4 >30~120 = ±0.6 >120~315 = ±1 >315~1000 = ±1.6 ANGLES(角度) = ±5°			
6					APPROVED				
5	color ring	1	pvc	red/black/blue white/yellow/green	CHECKED				
4	headlock	1	brass	gold	DRAWN				
3	cover	1	brass	gold	<i>Lala</i>				
2	contact pin	1	brass	gold	DATE				
1	body	1	brass	sandblast gold	2007. 11. 22	APPROVED All Connectors www.allconnectors.com Tel: 0049 711 7095003 70734 Hildersbach - Germany Email: info@allconnectors.de Fax: 0049 711 7095001 Kettenerstr. 25			
						TITLE BANANA PLUG			
						DRAWING NO. BP-203GsbG-SH5.1-RD/BK/BE/WE/YW/GN-4.0			
						FILE NO.DRAWING\AUDIO\BPBP-203GsbG-SH5.1-RD/BK/BE/WE/YW/GN-4.0			