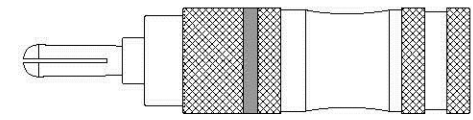
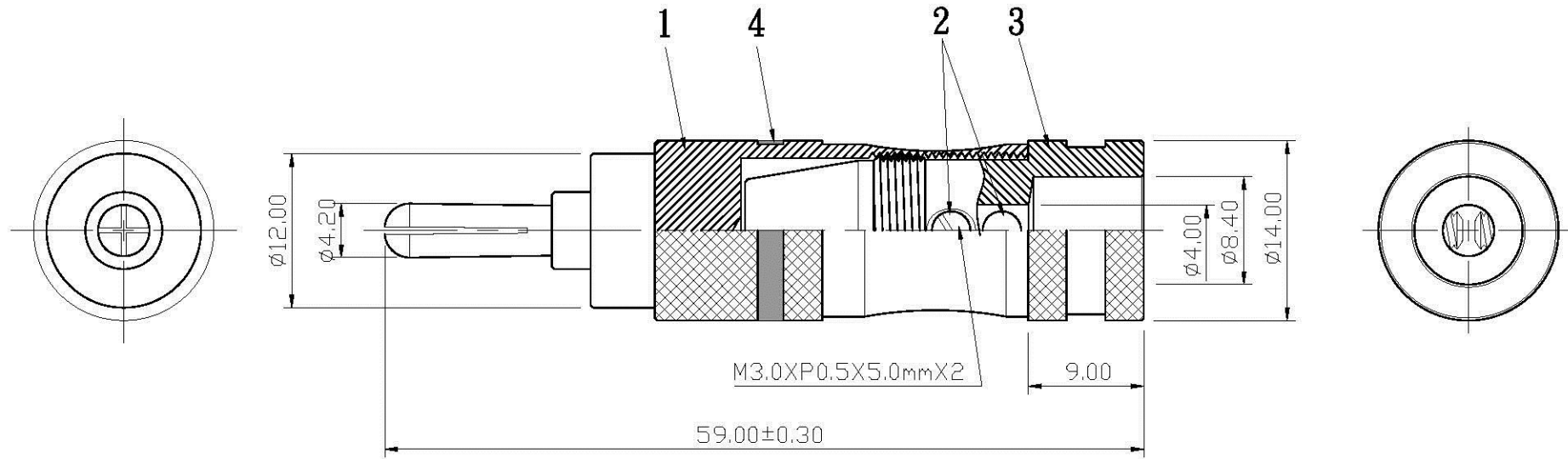


REMARK : RoHS REQUIREMENT APPLIED  
(符合RoHS)



S 1 : 1

7						DIMENSIONS ARE IN MILLIMETERS  UNLESS OTHERWISE PECIFIED TOLERANCES (一般公差) 0.5~6 = ±0.2 >6~30 = ±0.4 >30~120 = ±0.6 >120~315 = ±1 >315~1000 = ±1.6 ANGLES(角度) = ±5°	APPROVED	 www.allconnectors.de Tel.: 0049 711 7005503 70794 Filderstadt Germany info@allconnectors.de Fax: 0049 711 7009504 Kettelerstr. 25	
6					CHECKED		TITLE		
5					DRAWN		BANANA PLUG		
4	color ring	1	pvc	red/black/white			<i>Lala</i>	DRAWING NO.	
3	headlock	1	brass	gold			DATE	BP-201GG-RD/BK/WE-8.4	
2	screw	2	brass	gold	SCREW-103G-M3XP0.5X5.0mm		2009.06.10	FILE NO.	
1	body	1	brass	gold				DRAWING\AUDIO\BP\BP-201GG-RD/BK/WE-8.4	
NO.	Description	Unit	Materials	Finish	Drawing No.	SCALE	2 : 1	UNIT	MM