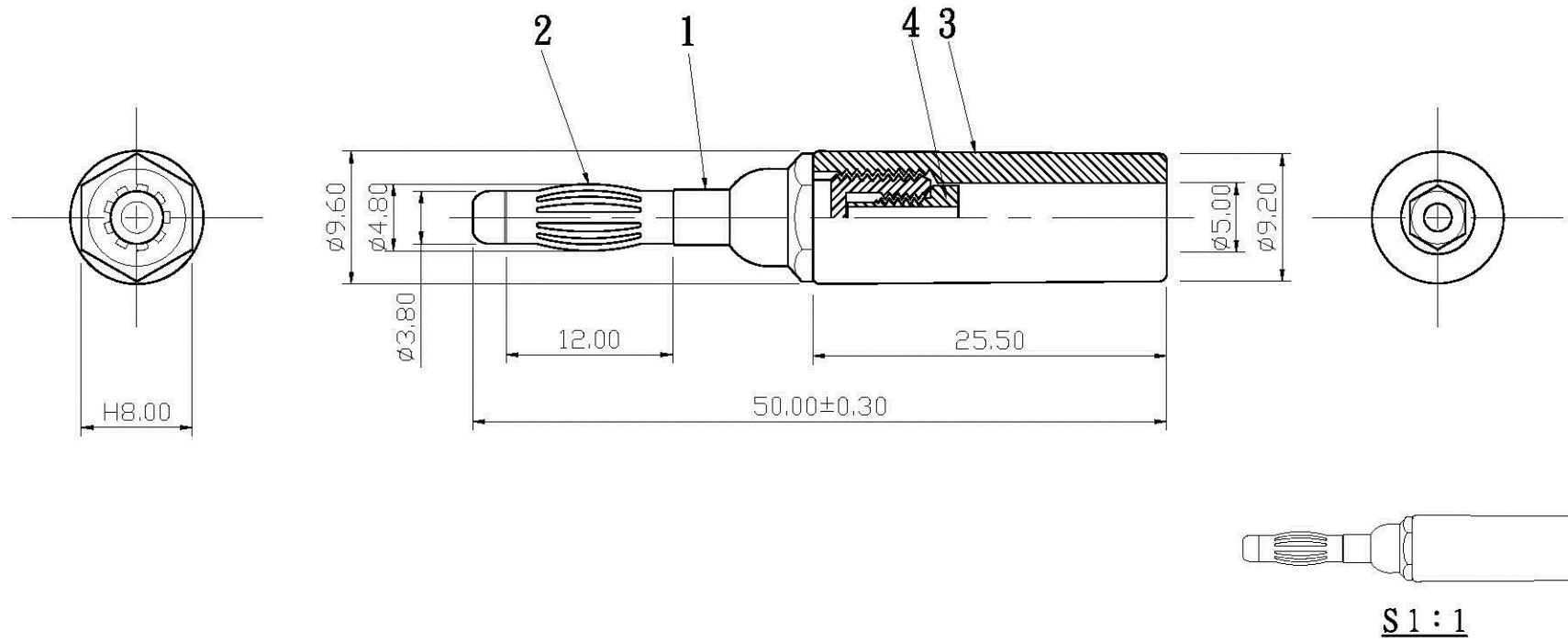


The tolerance without marking are all  $\pm 0.25\text{mm}$



### COMPONENTS LIST

NO.	Description	Unit	Materials	Finish	Drawing No.
1	body	1	brass	nickel	
2	contact pin	1	beryllium copper	nickel	
3	shell	1	plastic	black/red(nature)	
4	headlock	1	brass	nickel	
5					

校對 Check		核准 Approved		 <small>www.allconnectors.de Tel.: 0049 711 7009503 70794 Fillochrodt, Germany</small>	
繪圖 Drawing By		Tina	2006. 04. 25	圖名 TITLE	BANANA PLUG
SCALE		2 : 1	UNIT	圖號 PART NO.	BP-162BK/RDPLN(BeCu)-5.0
		MM		圖號 DRAWING NO.	06042502-3