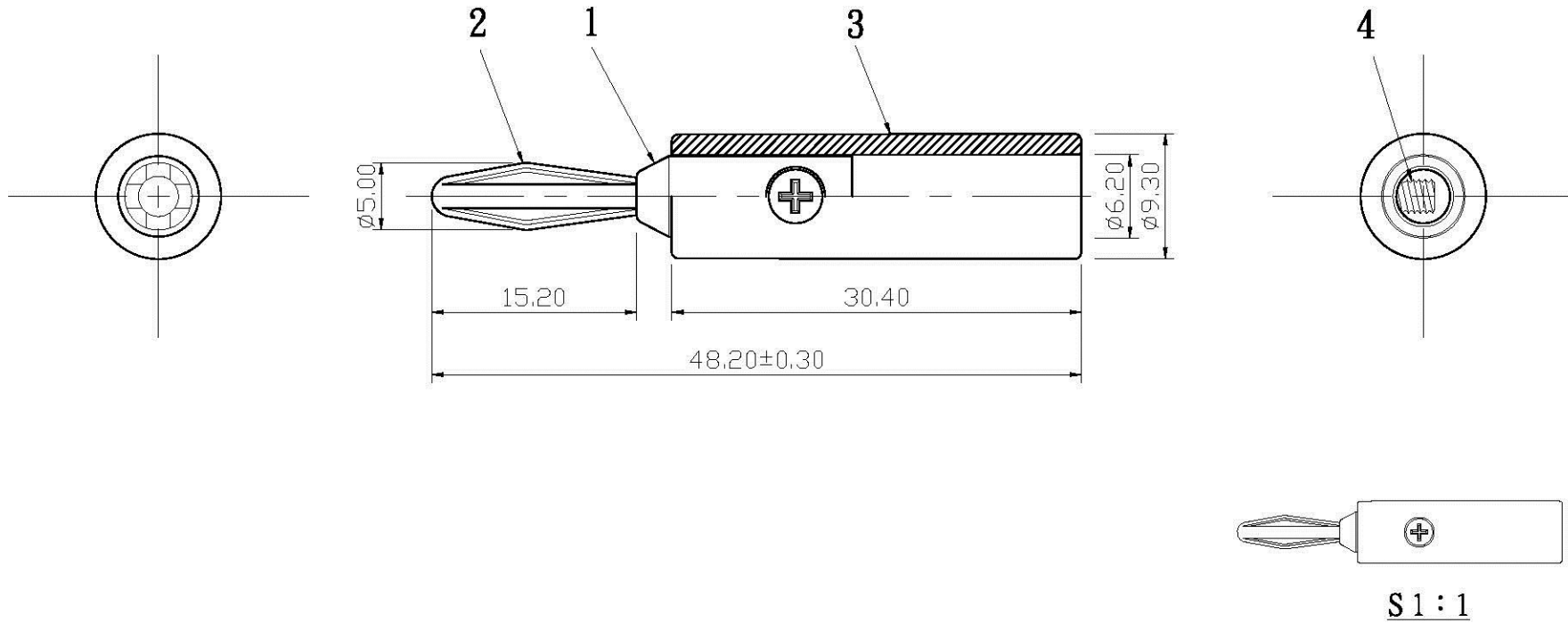


The tolerance without marking are all  $\pm 0.25\text{mm}$



### COMPONENTS LIST

NO.	Description	Unit	Materials	Finish	Drawing No.
1	body	1	brass	gold	
2	contact	1	brass	gold	
3	shell	1	plastic	black/red(nature)	
4	screw	1	brass	gold	
5					

校對 Check		核准 Approved			
				www.allconnectors.de tel.: 0049 /11 4009508 70794 Filberstadt, Germany	
				info@allconnectors.de fax: 0049 /11 4005001 Kellenmehle, 25	
繪圖 Drawing By		Tina		2006. 04. 19	
SCALE		2 : 1		UNIT MM	
				圖名 TITLE	
				BANANA PLUG	
				型號 PART NO.	
				BP-160BK/RDPLN-6.2	
				圖號 DRAWING NO.	
				06041902-3	