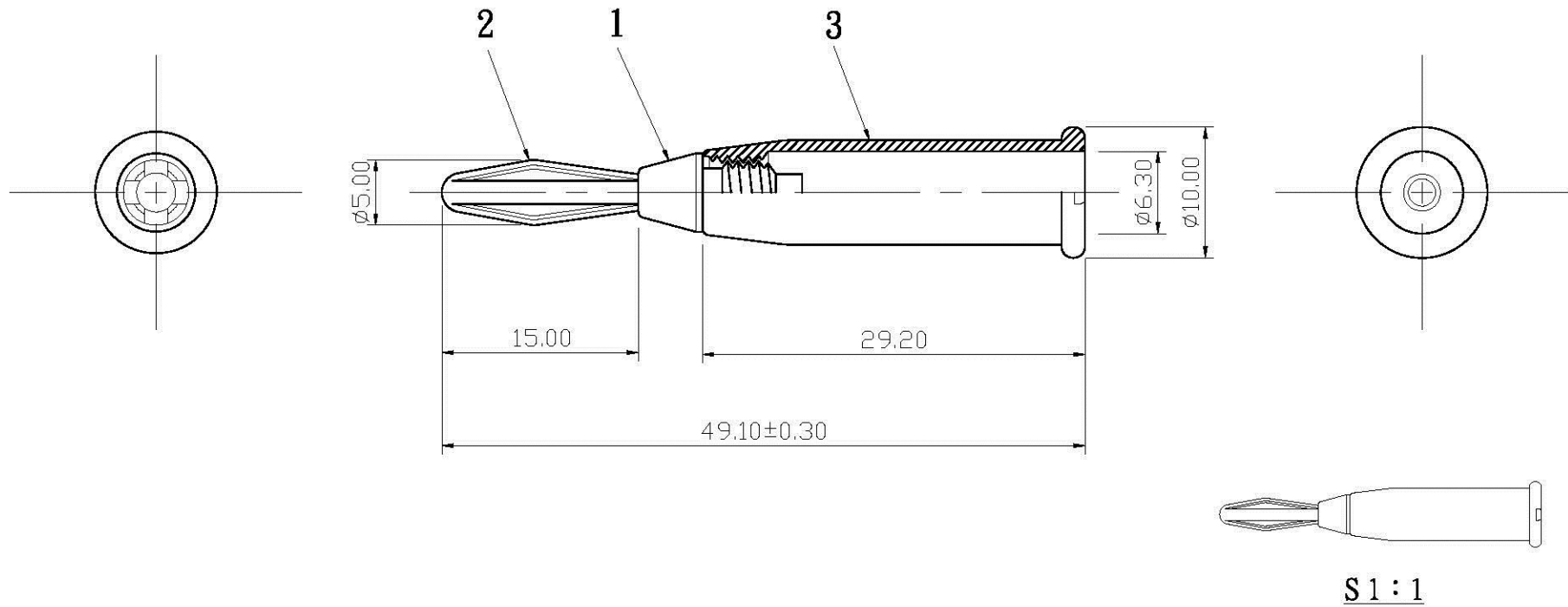


The tolerance without marking are all $\pm 0.25\text{mm}$



COMPONENTS LIST

NO.	Description	Unit	Materials	Finish	Drawing No.
1	body	1	brass	gold	
2	contact	1	brass	gold	
3	shell	1	plastic	red/black(nature)	
4					
5					

校對 Check		核准 Approved			
				<small>www.allconnectors.de info@allconnectors.de tel.: 0049 /11 /005008 fax: 0049 /11 /005004 40794 Ullersdorf - Germany Kettnerstr. 2a</small>	
繪圖 Drawing By		Tina		2006. 04. 19	
SCALE		2 : 1		UNIT MM	
				圖名 TITLE	
				型號 PART NO.	
				圖號 DRAWING NO.	
				BANANA PLUG	
				BP-159BK/RDPLN-6.3	
				06041903-3	