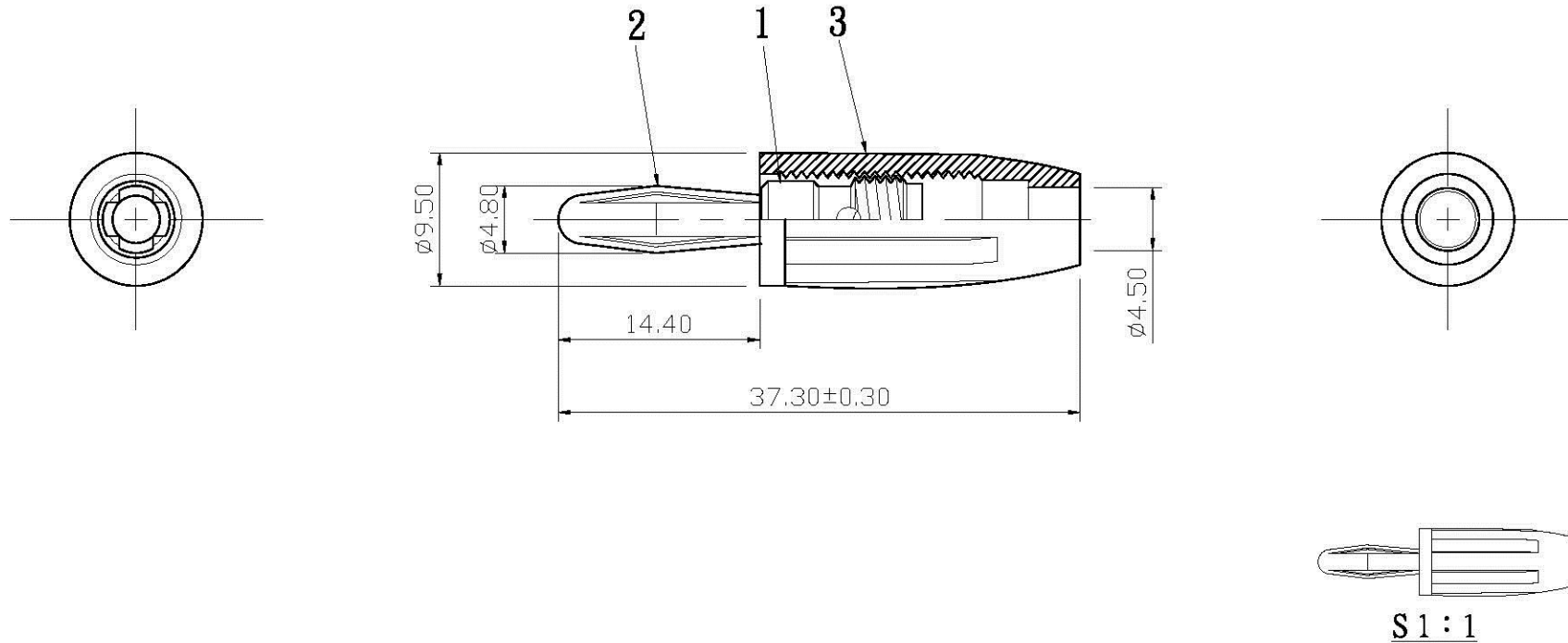


The tolerance without marking are all $\pm 0.25\text{mm}$



COMPONENTS LIST

NO.	Description	Unit	Materials	Finish	Drawing No.
1	body	1	brass	nickel	
2	contact	1	brass	nickel	
3	shell	1	plastic	black/red(nature)	
4					
5					

校對 Check		核准 Approved		 www.allconnectors.de Tel.: 0049 711 7009503 70734 Eildenstadt Germany	
繪圖 Drawing By		Tina		2006. 03. 20	
SCALE		2 : 1		UNIT MM	
				圖名 TITLE BANANA PLUG 型號 PART NO. BP-155BK/RDPLN-4.5 圖號 DRAWING NO. 06032003-3	