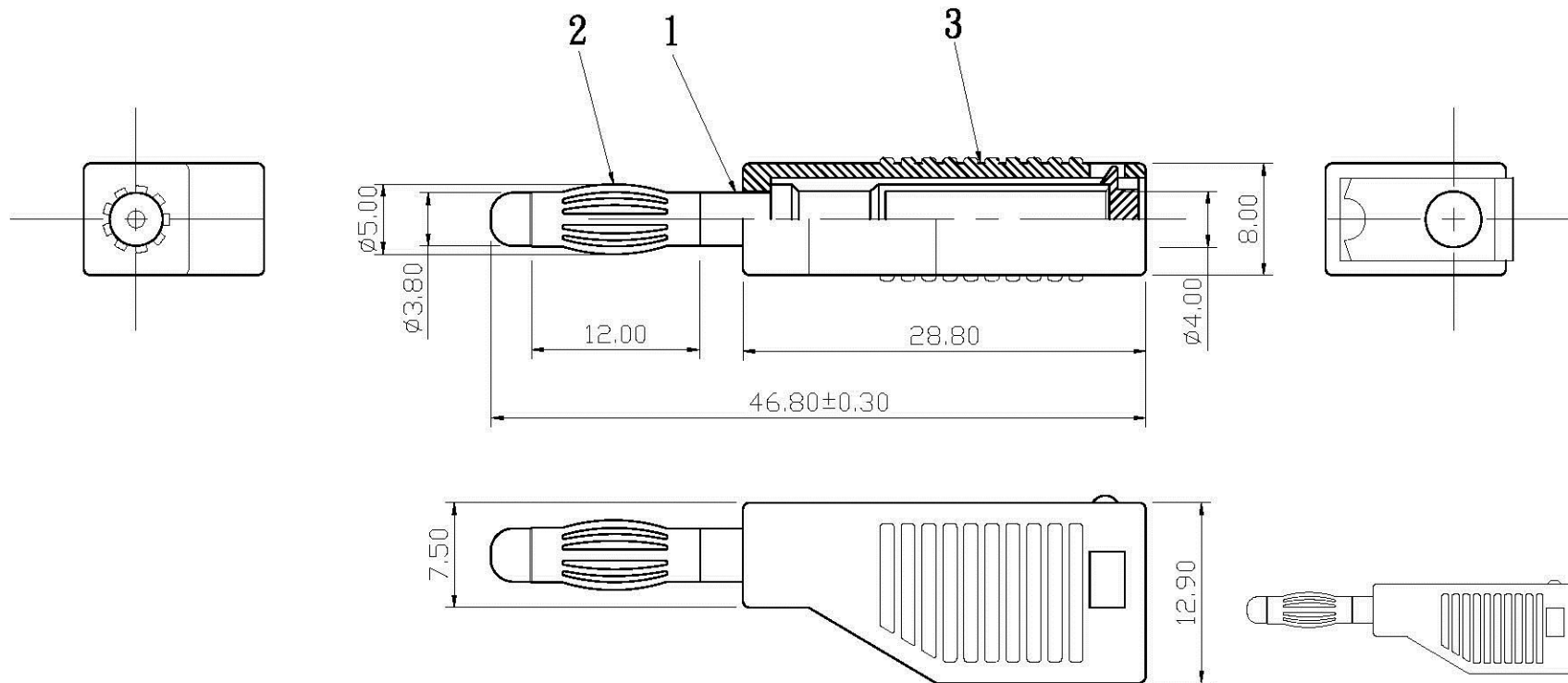


The tolerance without marking are all  $\pm 0.25\text{mm}$



S 1 : 1

### COMPONENTS LIST

NO.	Description	Unit	Materials	Finish	Drawing No.
1	body	1	brass	nickel	
2	contact	1	beryllium copper	nickel	
3	shell	1	plastic	black/red(nature)	
4					
5					

校對 Check		核准 Approved		 www.allconnectors.de Tel.: 0049 711 7009501 70774 Milderstätt - Germany	
繪圖 Drawing By		Tina	2006. 04. 19	圖名 TITLE	BANANA PLUG
SCALE		2 : 1	UNIT	圖號 PART NO.	BP-154BK/RDPLN(BeCu)-4.0
		MM		圖號 DRAWING NO.	06041901-3

Info@allconnectors.de  
 Fax: 0049 711 7009504  
 Kettenerstr. 25