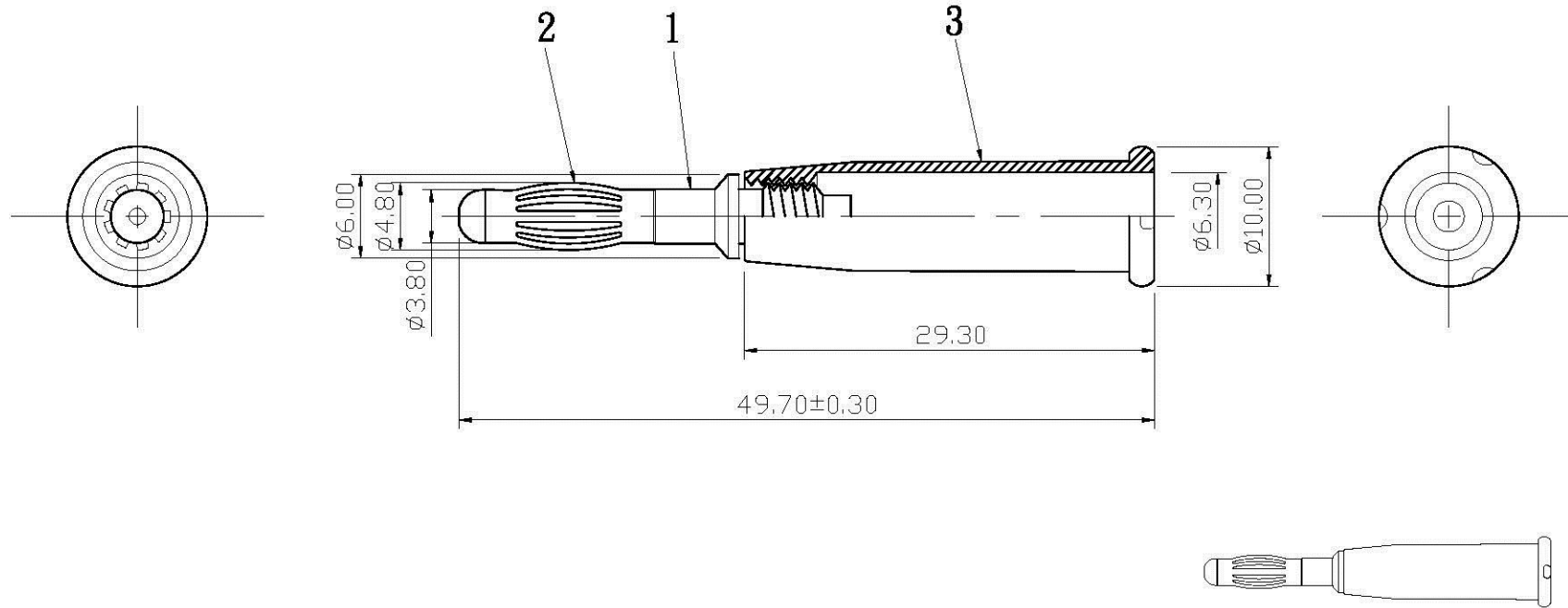



REMARK : RoHS REQUIREMENT APPLIED
(符合RoHS)



S1 : 1

7						DIMENSIONS ARE IN MILLIMETERS UNLESS OTHERWISE PECIFIED TOLERANCES (一般公差) 0.5~6 = ±0.2 >6~30 = ±0.4 >30~120 = ±0.6 >120~315 = ±1 >315~1000 = ±1.6 ANGLES(角度) = ±5°	APPROVED	 www.allconnectors.com.cn Tel.: 0049 711 2009503 70724 Filderstadt - Germany info@allconnectors.com.cn Fax: 0049 711 2009504 Kettnerstr. 25	
6					CHECKED		TITLE		
5					DRAWN		BANANA PLUG		
4					<i>Lala</i>		DRAWING NO.		
3	shell	1	plastic	red/black	DATE		BP-153RD/BKPLN(BeCu)-6.3		
2	contact pin	1	beryllium copper	nickel	2007. 11. 07		FILE NO. DRAWING\AUDIO\BPBP-153RD/BKPLN(BeCu)-6.3		
1	body	1	brass	nickel					
NO.	Description	Unit	Materials	Finish	Drawing No.	SCALE	2 : 1	UNIT	MM