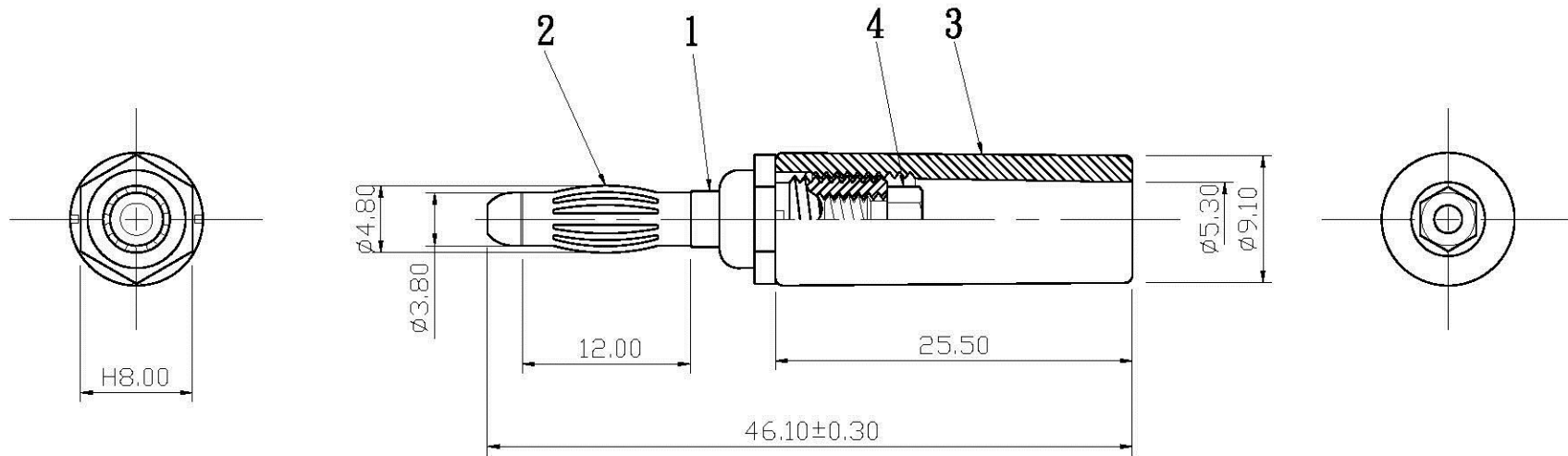



REMARK : RoHS REQUIREMENT APPLIED  
(符合RoHS)



S1 : 1

NO.	Description	Unit	Materials	Finish	Drawing No.	SCALE	2 : 1	UNIT	MM	APPROVED	 <small>www.allconnectors.de Tel.: 0049 711 7009503 70784 Fildefstadt Germany</small>	
7						DIMENSIONS ARE IN MILLIMETERS UNLESS OTHERWISE PECIFIED TOLERANCES (一般公差) 0.5~6 = ±0.2 >6~30 = ±0.4 >30~120 = ±0.6 >120~315 = ±1 >315~1000 = ±1.6 ANGLES(角度) = ±5°				CHECKED	<small>info@allconnectors.de Fax: 0049 711 7009504 Kettnerstr. 25</small>	
6					TITLE					BANANA PLUG		
5					DRAWN					Lala		
4	head lock	1	brass	nickel	DATE					2007. 11. 08		
3	shell	1	plastic	red/black	DRAWING NO.					BP-152RD/BKPLN(BeCu)-5.3		
2	contact pin	1	beryllium copper	nickel	FILE NO.					DRAWINGAUDIO\BPBP-152RD/BKPLN(BeCu)-5.3		
1	body	1	brass	nickel								