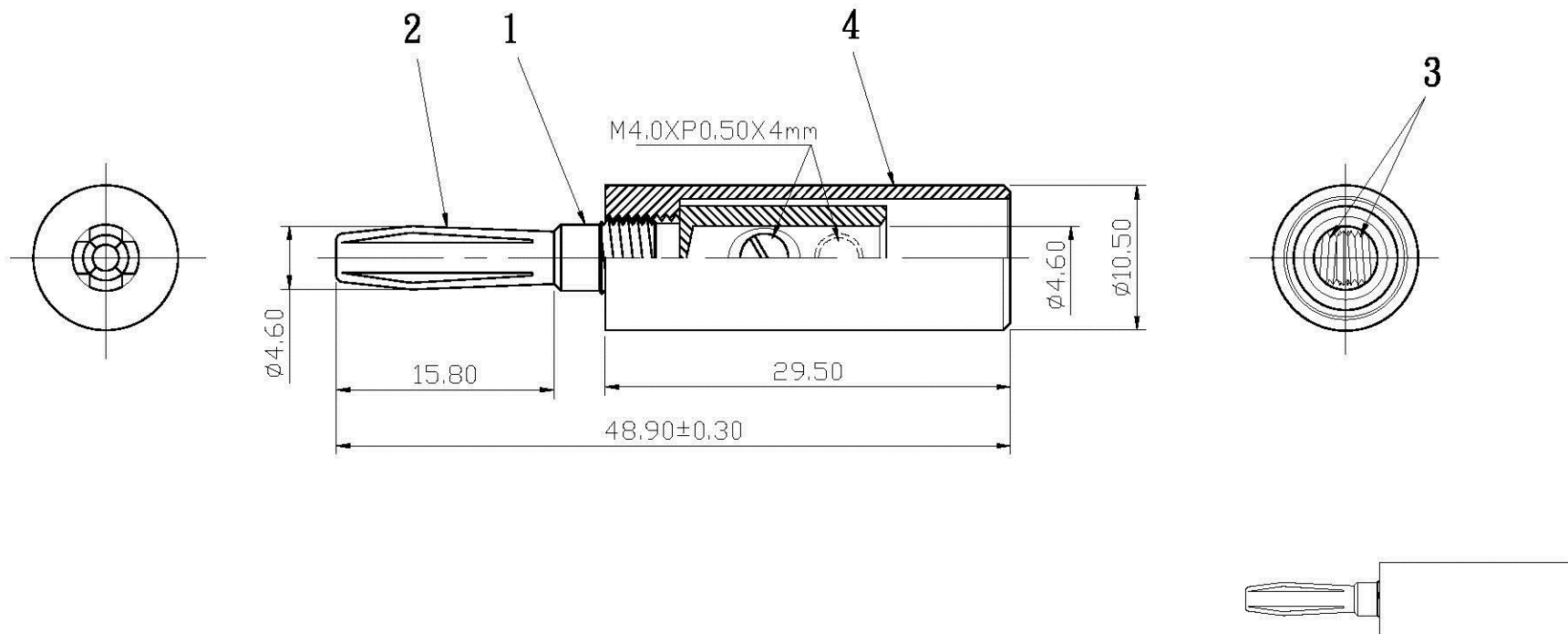


No.	DATE	DESCRIPTION	REV
△	2009. 08. 11	Drawing to renew 圖面更新	A

REMARK : RoHS REQUIREMENT APPLIED  
(符合RoHS)



S1:1

NO.	Description	Unit	Materials	Finish	Drawing No.	SCALE	2 : 1	UNIT	MM	DATE	2008. 04. 10	FILE NO.	DRAWING/AUDIO/BP/BP-150BK/RD/BEALG-4.6
7						DIMENSIONS ARE IN MILLIMETERS UNLESS OTHERWISE PECIFIED TOLERANCES (一般公差) 0.5~6 = ±0.2 >6~30 = ±0.4 >30~120 = ±0.6 >120~315 = ±1 >315~1000 = ±1.6 ANGLES(角度) = ±5°				APPROVED	 www.allconnectors.de Tel: 0049 711 4019508 40798 Bilkentstr. - Germany info@allconnectors.de Fax: 0049 711 4019504 Kottenerstr. 25	TITLE	BANANA PLUG
6					CHECKED					DRAWING NO.		BP-150BK/RD/BEALG-4.6	
5					DRAWN					Lala		FILE NO.	DRAWING/AUDIO/BP/BP-150BK/RD/BEALG-4.6
4	shell	1	aluminum	anodic treatment red/black/blue									
3	screw	2	brass	gold	SCREW-104G-M4XP0.5X4.0mm								
2	contact pin	1	brass	gold									
1	body	1	brass	gold									