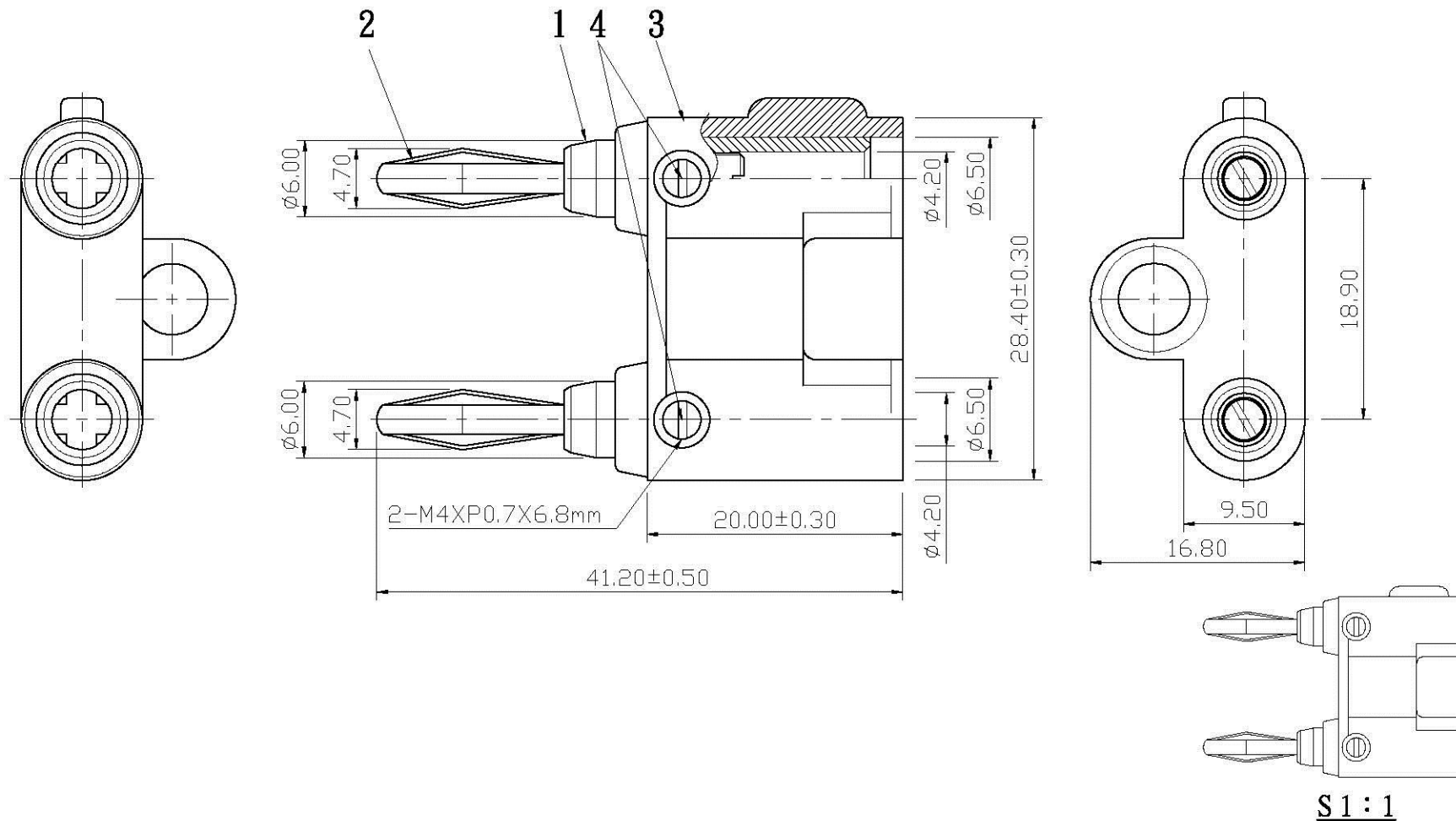



REMARK : RoHS REQUIREMENT APPLIED
(符合RoHS)



7						DIMENSIONS ARE IN MILLIMETERS UNLESS OTHERWISE PECIFIED TOLERANCES (一般公差) 0.5-6 = ±0.2 >6-30 = ±0.4 >30-120 = ±0.6 >120-315 = ±1 >315-1000 = ±1.6 ANGLES(角度) = ±5°	CHECKED	 www.allconnectors.de info@allconnectors.de 70794 Filzschacht, Germany	
6					DRAWN		TITLE		
5					<i>Tina</i>		BANANA PLUG		
4	screw	2	brass	gold			DATE	DRAWING NO.	
3	shell	1	plastic	red/black			2012. 07. 03	BP-149ARD/BKPLG-4.2	
2	contact pin	2	phosphor bronze	gold				FILE NO. DRAWINGAUDIO\BP\BP-149ARD/BKPLG-4.2	
1	body	2	brass	gold					
NO.	Description	Unit	Materials	Finish	Drawing No.	SCALE	2 : 1	UNIT	MM