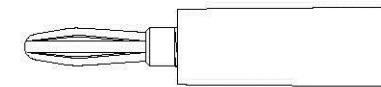
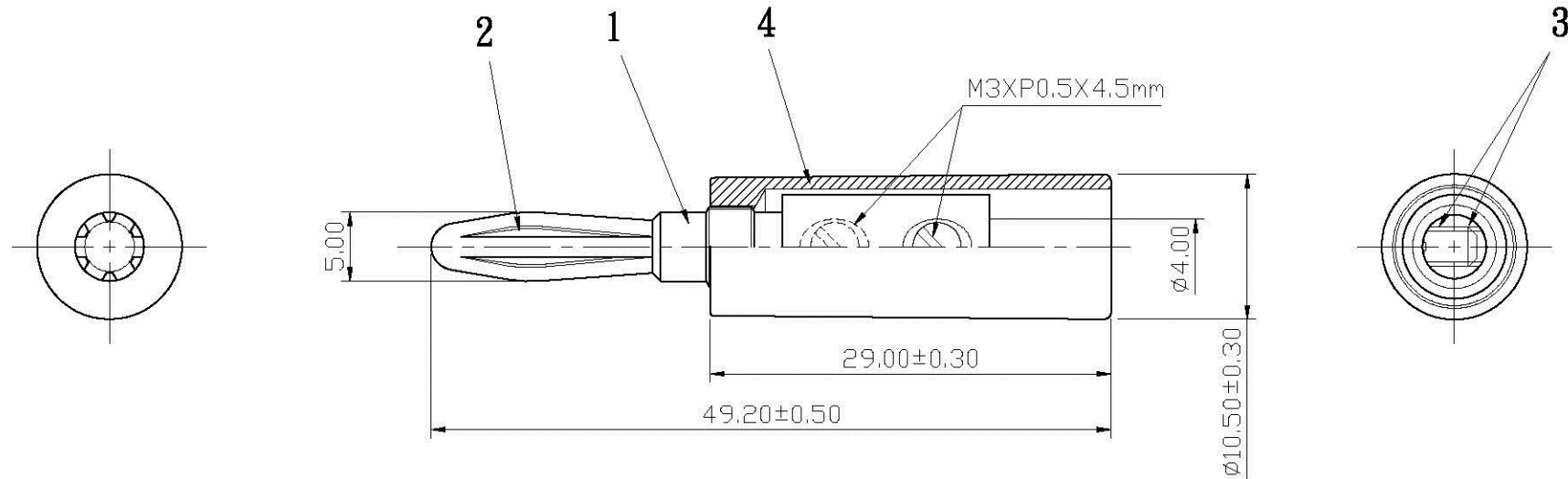



No.	DATE	DESCRIPTION	REV
▲	2012. 02. 29	Drawing to renew 圖面更新	A

REMARK : RoHS REQUIREMENT APPLIED
(符合RoHS)



S 1 : 1

7						DIMENSIONS ARE IN MILLIMETERS UNLESS OTHERWISE PECIFIED TOLERANCES (一般公差) 0.5~6 = ±0.2 >6~30 = ±0.4 >30~120 = ±0.6 >120~315 = ±1 >315~1000 = ±1.6 ANGLES(角度) = ±5°	CHECKED	 www.allconnectors.de Tel.: 0049 711 7009503 70794 Eilderstadt Germany info@allconnectors.de Fax: 0049 711 7009504 Kettelerstr. 25
6					DRAWN <i>Tina</i>			
5							DATE 2007. 11. 19	DRAWING NO. BP-147BK/RDPLG-4.0
4	shell	1	plastic	black/red			FILE NO. DRAWING/AUDIO/BP/BP-147BK/RDPLG-4.0	
3	screw	2	brass	gold	SCREW-104G-M3XP0.5X4.5mm			
2	contact pin	1	phosphor bronze	gold				
1	body	1	brass	gold				
NO.	Description	Unit	Materials	Finish	Drawing No.	SCALE 2 : 1	UNIT	MM