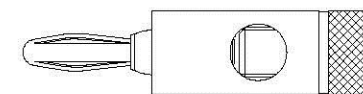
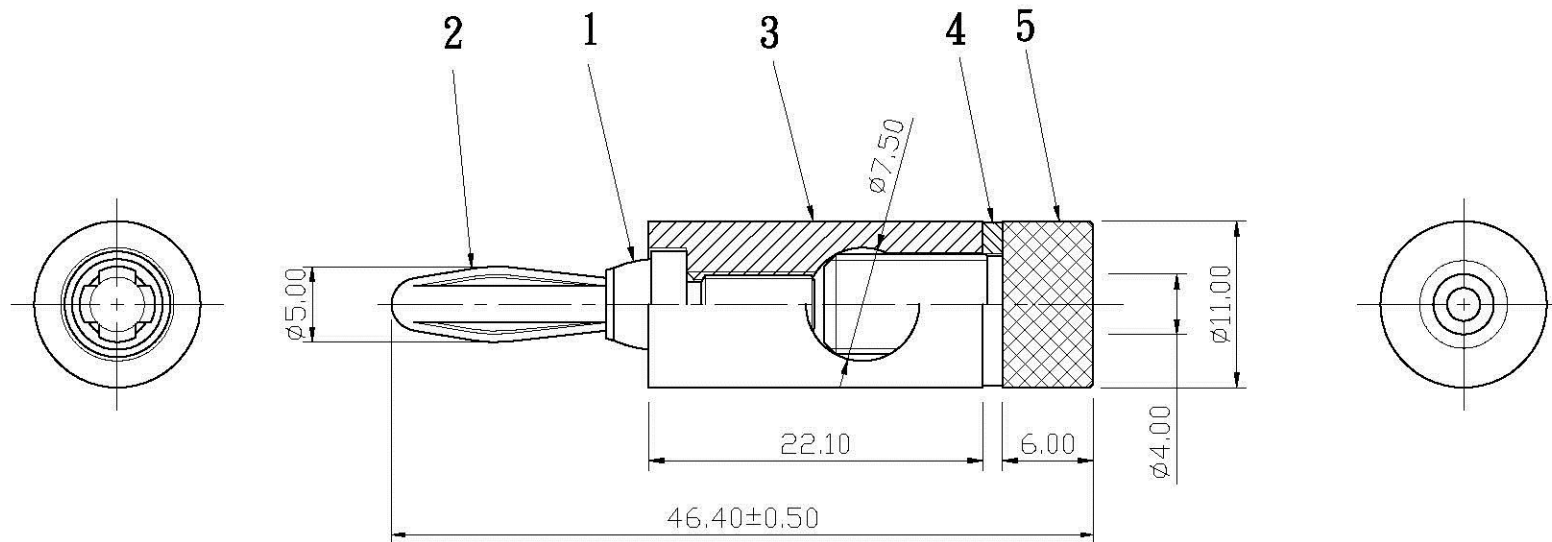


No.	DATE	DESCRIPTION	REV
△	2012. 02. 29	Drawing to renew 圖面更新	A

REMARK : RoHS REQUIREMENT APPLIED
(符合RoHS)



S 1 : 1

7						DIMENSIONS ARE IN MILLIMETERS UNLESS OTHERWISE SPECIFIED TOLERANCES (一般公差) 0.5~6 = ±0.2 >6~30 = ±0.4 >30~120 = ±0.6 >120~315 = ±1 >315~1000 = ±1.6 ANGLES(角度) = ±5°	CHECKED	 www.allconnectors.de Tel.: 0049 711 7009503 70794 Filzderstact - Germany info@allconnectors.de Fax: 0049 711 7009504 Kettnerstr. 25			
6							DRAWN		TITLE		
5	headlock	1	brass	gold			<i>Tina</i>		BANANA PLUG		
4	washer	1	plastic	black/red/white				DRAWING NO.			
3	shell	1	brass	nickel				BP-145NG-SH7.5-BK/RD/WE-4.0			
2	contact pin	1	phosphor bronze	gold				FILE NO. DRAWING\AUDIO\BP\BP-145NG-SH7.5-BK/RD/WE-4.0			
1	body	1	brass	gold							
NO.	Description	Unit	Materials	Finish	Drawing No.	SCALE	2 : 1	UNIT	MM	DATE	2012. 01. 17