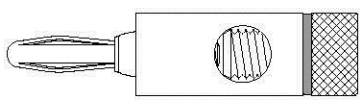
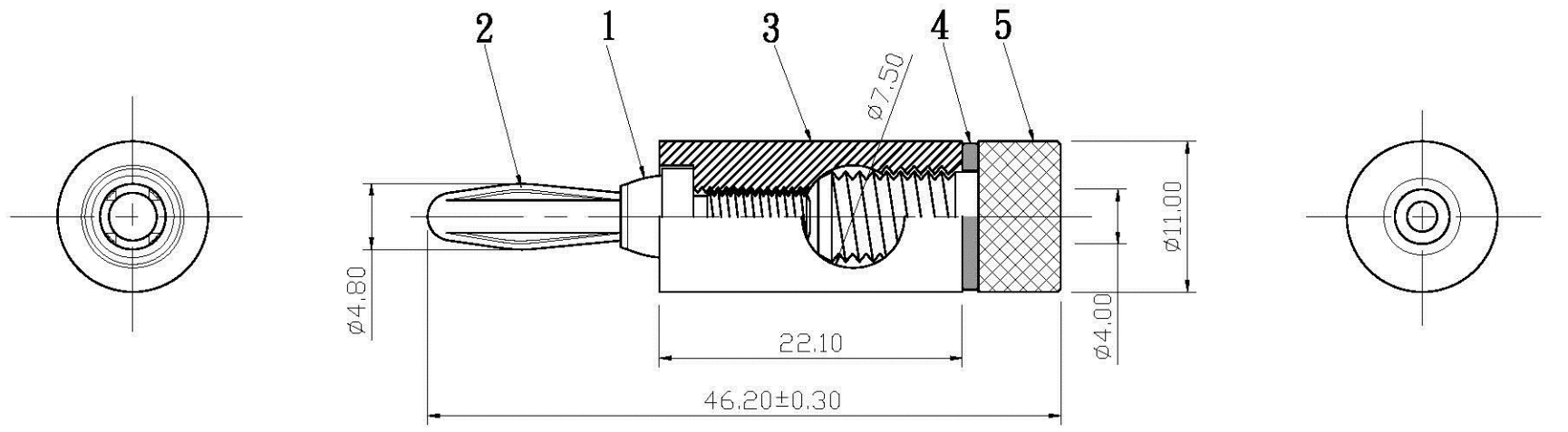


REMARK : RoHS REQUIREMENT APPLIED  
(符合RoHS)



S1:1

7						DIMENSIONS ARE IN MILLIMETERS UNLESS OTHERWISE PECIFIED TOLERANCES (一般公差) 0.5-6 = ±0.2 >6-30 = ±0.4 >30-120 = ±0.6 >120-315 = ±1 >315-1000 = ±1.6 ANGLES(角度) = ±5°	APPROVED	 www.allconnectors.de info@allconnectors.de Tel: 0049 711 7005005 Fax: 0049 711 7005001 70734 Filderstadt Germany Kellernstraße 25			
6					CHECKED		TITLE				
5	headlock	1	brass	gold			BANANA PLUG				
4	gasket	1	plastic	red/black			DRAWING NO.				
3	shell	1	brass	gold			BP-144GG-SH7.5-RD/BK-4.0				
2	contact pin	1	brass	gold			FILE NO. DRAWINGAUDIOBPBP-144GG-SH7.5-RD/BK-4.0				
1	body	1	brass	gold		DATE					
NO.	Description	Unit	Materials	Finish	Drawing No.	SCALE	2 : 1	UNIT	MM	DATE	2007. 12. 14