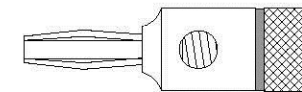
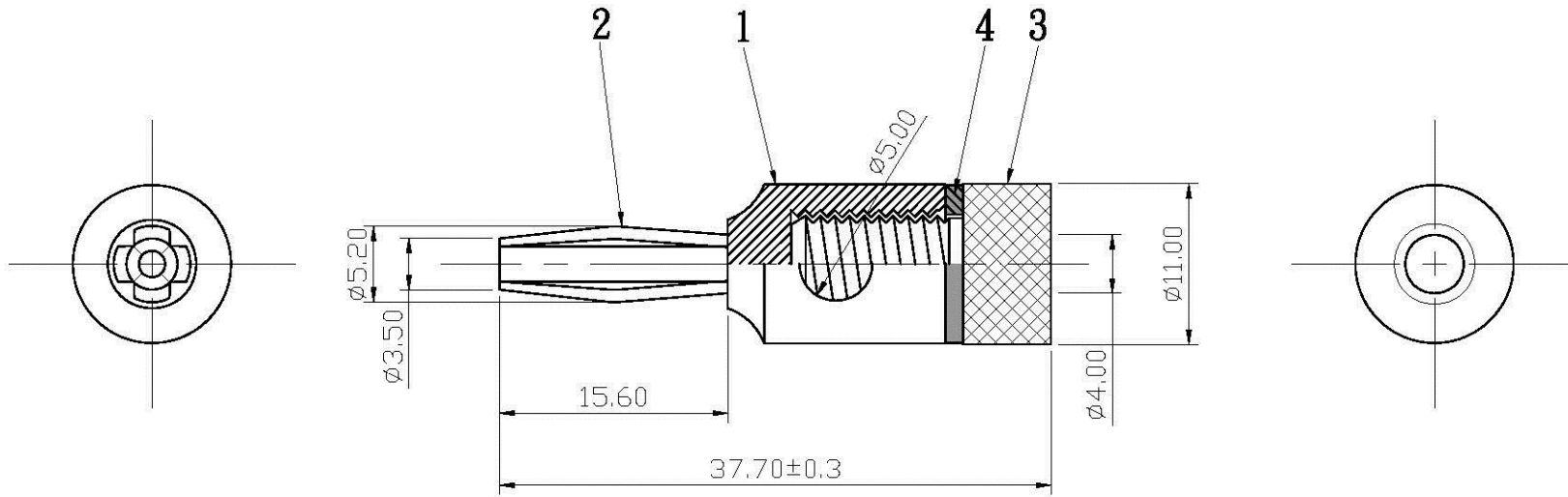


The tolerance without marking are all $\pm 0.25\text{mm}$



S 1 : 1

COMPONENTS LIST

NO.	Description	Unit	Materials	Finish	Drawing No.
1	body	1	brass	gold	
2	contact	1	brass	gold	
3	headlock	1	brass	gold	
4	gasket	1	plastic	black/red(nature)	
5					

校對 Check		核准 Approved		 www.allconnectors.de TEL: 0049 711 7009503 20734 Gildesried - Germany info@allconnectors.de Fax: 0049 711 7009504 Kerlestr. 25	
繪圖 Drawing By	Tina	2006. 02. 27	圖名 TITLE	BANANA PLUG	
SCALE	2 : 1	UNIT	MM	型號 PART NO.	BP-143GG-SH5.0-BK/RD-4.0
			圖號 DRAWING NO.	06021502-3	