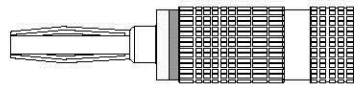
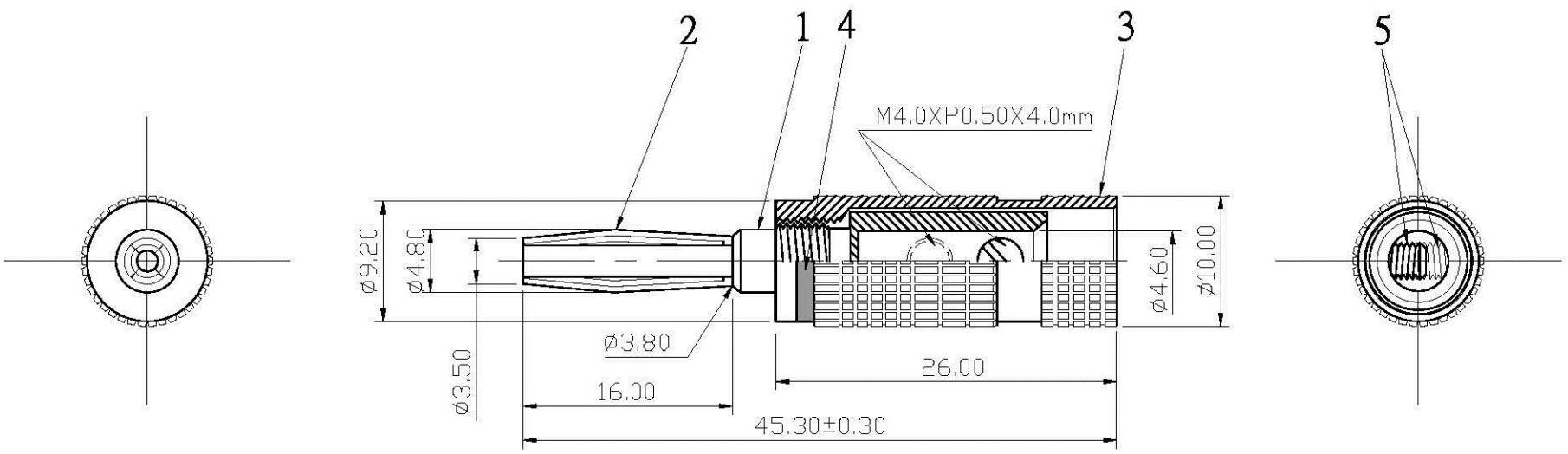


REMARK : RoHS REQUIREMENT APPLIED
(符合RoHS)



S1 : 1

7						DIMENSIONS ARE IN MILLIMETERS UNLESS OTHERWISE PECIFIED TOLERANCES (一般公差) 0.5~6 = ±0.2 >6~30 = ±0.4 >30~120 = ±0.6 >120~315 = ±1 >315~1000 = ±1.6 ANGLES(角度) = ±5°	APPROVED	www.allconnectors.de Tel.: 0049 711 7005503 70754 Filderstadt Germany info@allconnectors.de Fax: 0049 711 7005504 Kettamerstr. 25	
6					CHECKED		TITLE		
5	screw	2	brass	gold	SCREW-105G-M4XP0.5X4.0mm(ø 3.8)		<i>Lala</i>		BANANA PLUG
4	color ring	1	PVC	red/black			DATE	DRAWING NO.	
3	shell	1	brass	gold			2007.08.29	BP-138GG-RD/BK-4.6	
2	contact	1	brass	gold				FILE NO.	
1	body	1	brass	gold	BODY-BP-126G-4.6			DRAWING\AUDIO\BPBP-138GG-RD/BK-4.6	
NO.	Description	Unit	Materials	Finish	Drawing No.	SCALE	2 : 1	UNIT	MM