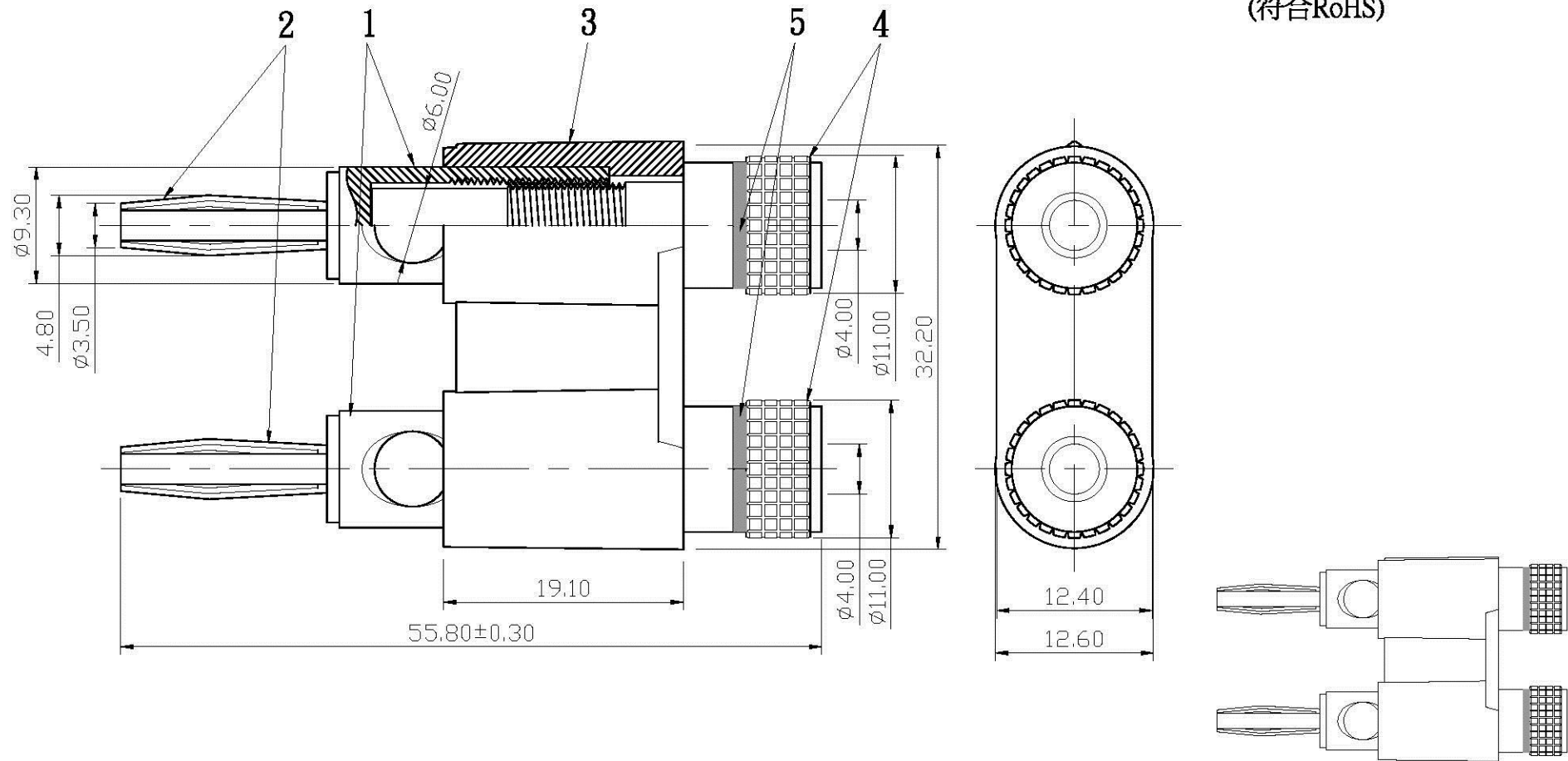


REMARK : RoHS REQUIREMENT APPLIED
(符合RoHS)



S1 : 1

NO.	Description	Unit	Materials	Finish	Drawing No.	SCALE	2 : 1	UNIT	MM	DATE	2008. 03. 07	APPROVED	CHECKED	DRAWN	Lala	DATE	2008. 03. 07	FILE NO.	DRAWING\AUDIO\BP\BP-136RD/BKPLG-SH6.0-RD&BK-4.0
7						DIMENSIONS ARE IN MILLIMETERS UNLESS OTHERWISE PECIFIED TOLERANCES (一般公差) 0.5-6 = ±0.2 >6-30 = ±0.4 >30-120 = ±0.6 >120-315 = ±1 >315-1000 = ±1.6 ANGLES(角度) = ±5°				APPROVED		All Connectors www.allconnectors.de info@allconnectors.de Tel: 0149 211 2092013 Fax: 0149 211 2092014 70794 Filzschmid - Germany Kottenheide, 25		TITLE		BANANA PLUG DRAWING NO. BP-136RD/BKPLG-SH6.0-RD&BK-4.0 FILE NO. DRAWING\AUDIO\BP\BP-136RD/BKPLG-SH6.0-RD&BK-4.0			
6					CHECKED														
5	color ring	2	pvc	red/bkack	DRAWN														
4	headlock	2	brass	gold	DATE					2008. 03. 07									
3	shell	1	plastic	red/black	APPROVED														
2	contact pin	2	brass	gold	CHECKED														
1	body	2	brass	gold	DRAWN		Lala												