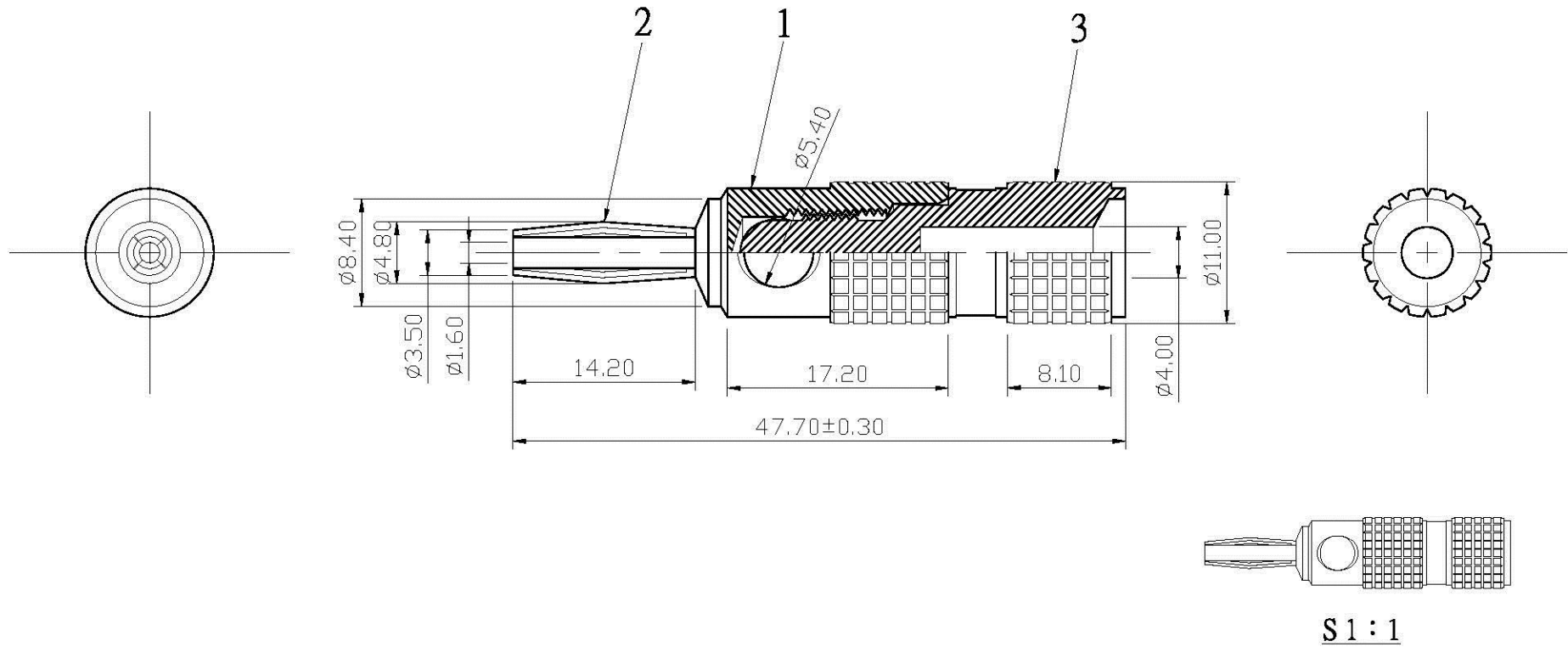


The tolerance without marking are all $\pm 0.25\text{mm}$



COMPONENTS LIST

NO.	Description	Unit	Materials	Finish	Drawing No.
1	body	1	brass	gold	
2	contact	1	brass	gold	
3	headlock	1	brass	gold	
4					
5					

校對 Check		核准 Approved		 <small>www.allconnectors.de tel.: 0049 411 7009503 70794 Filbersludt, Germany</small>	
繪圖 Drawing By		Tina	2005.10.14	圖名 TITLE	BANANA PLUG
SCALE		2 : 1	UNIT	圖號 PART NO.	BP-135GG-SH5.4-4.0
		MM		圖號 DRAWING NO.	05101402-3

Info@allconnectors.de
Fax: 0049 411 7009501
Kollernstr. 25