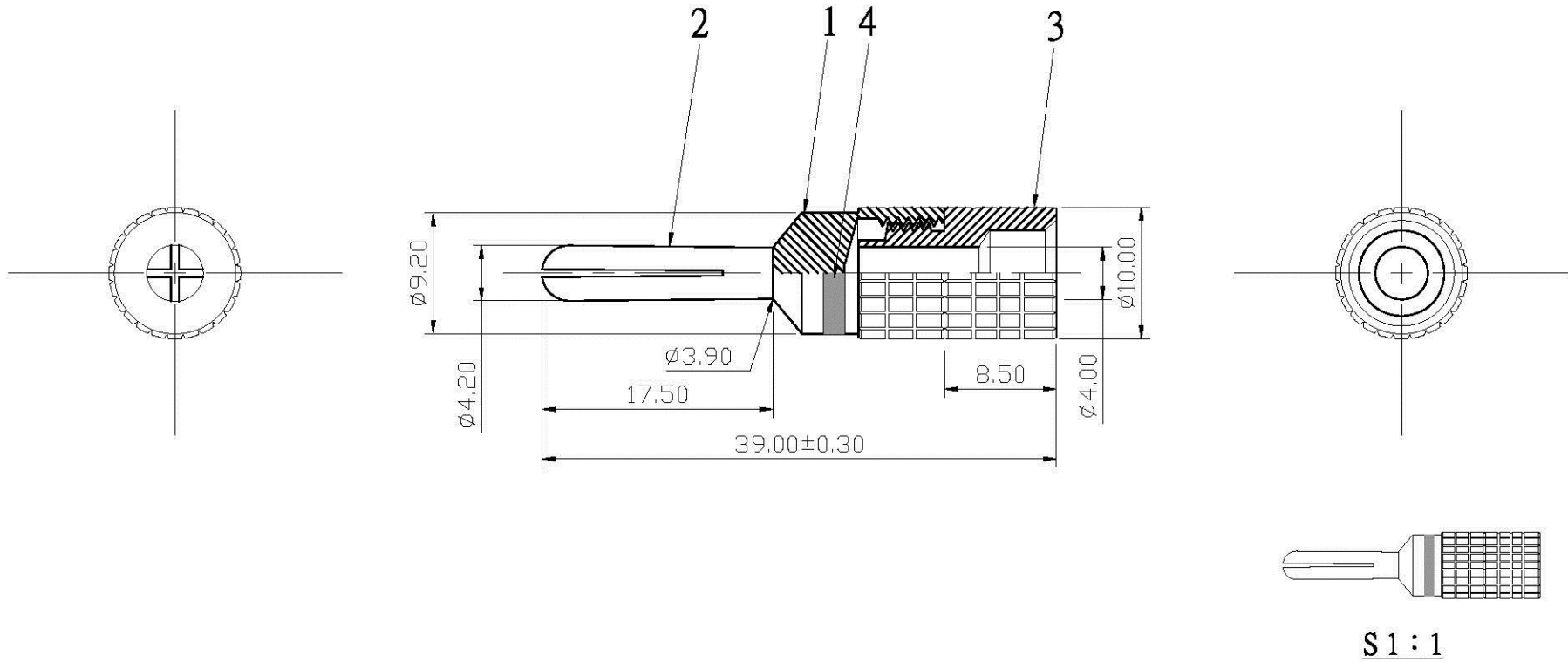


The tolerance without marking are all  $\pm 0.25\text{mm}$



### COMPONENTS LIST

NO.	Description	Unit	Materials	Finish	Drawing No.
1	body	1	brass	gold	
2	contact	1	brass	gold	
3	handlock	1	brass	gold	
4	color ring	1	painting	black/red(nature)	
5					

校對 Check		核准 Approved		 <small>www.allconnectors.de tel.: 0049 /11 7009503 /0,794 Hilderstadt - Germany</small> <small>info@allconnectors.de Fax: 0049 /11 7009501 Kettnerstr. 2</small>	
繪圖 Drawing By		Tina	2005.10.18	圖名 TITLE	BANANA PLUG
SCALE		2 : 1	UNIT	MM	型號 PART NO.
				圖號 DRAWING NO.	BP-134GG-BK/RD-4.0 05101401-3