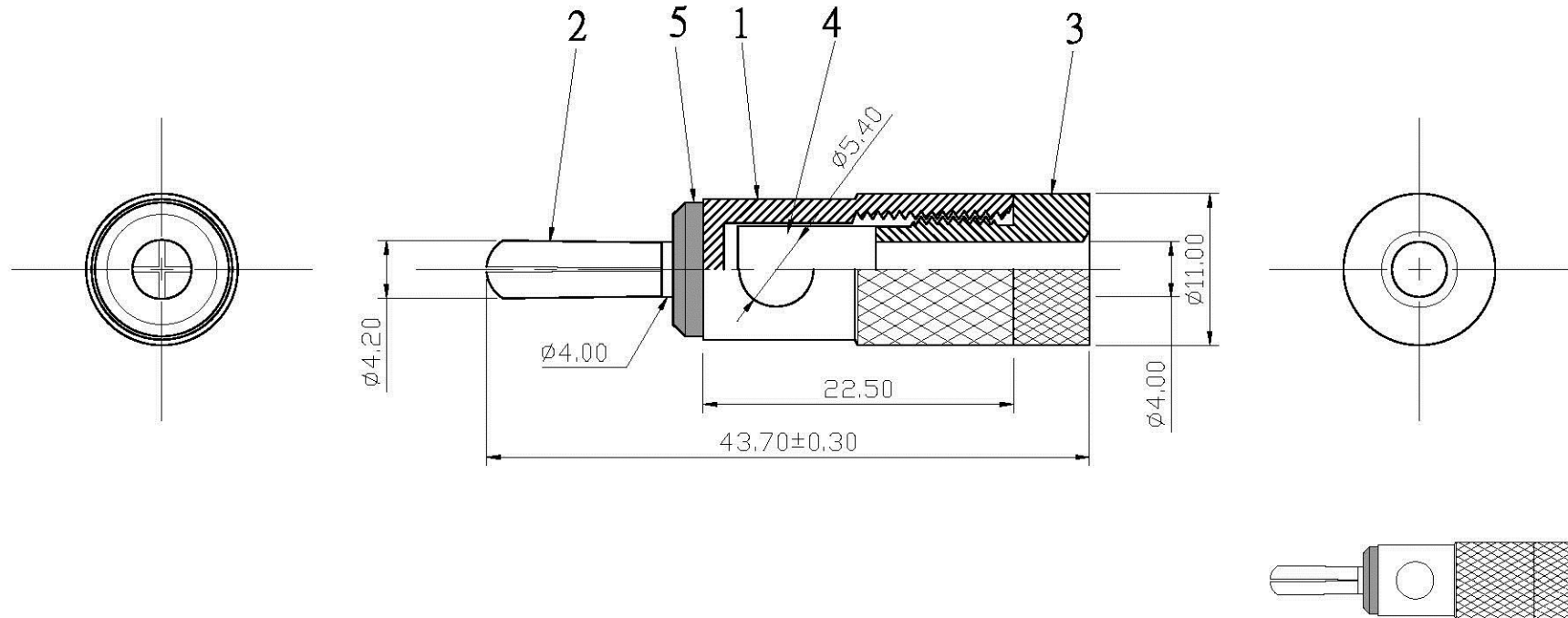


The tolerance without marking are all $\pm 0.25\text{mm}$

REMARK : RoHS REQUIREMENT APPLIED
(符合RoHS)



S 1 : 1

COMPONENTS LIST

NO.	Description	Unit	Materials	Finish	Drawing No.
1	body	1	brass	gold	
2	contact	1	brass	gold	
3	headlock	1	brass	gold	
4	pillar	1	brass	gold	
5	gasket	1	plastic	black/red(nature)	

校對 Check		核准 Approved			
				<small>www.allconnectors.de tel.: 0049 /11 7009503 70724 Filderstadt - Germany</small>	
				<small>info@allconnectors.de fax: 0049 /11 7009504 Kellenersstr. 25</small>	
繪圖 Drawing By		Tina		2005.09.27	
SCALE		2 : 1		UNIT MM	
				圖名 TITLE	
				型號 PART NO.	
				圖號 DRAWING NO.	
				BANANA PLUG	
				BP-129GG-SH5.4-BK/RD-4.0	
				05092703-3	