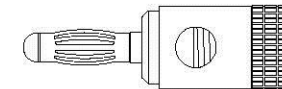
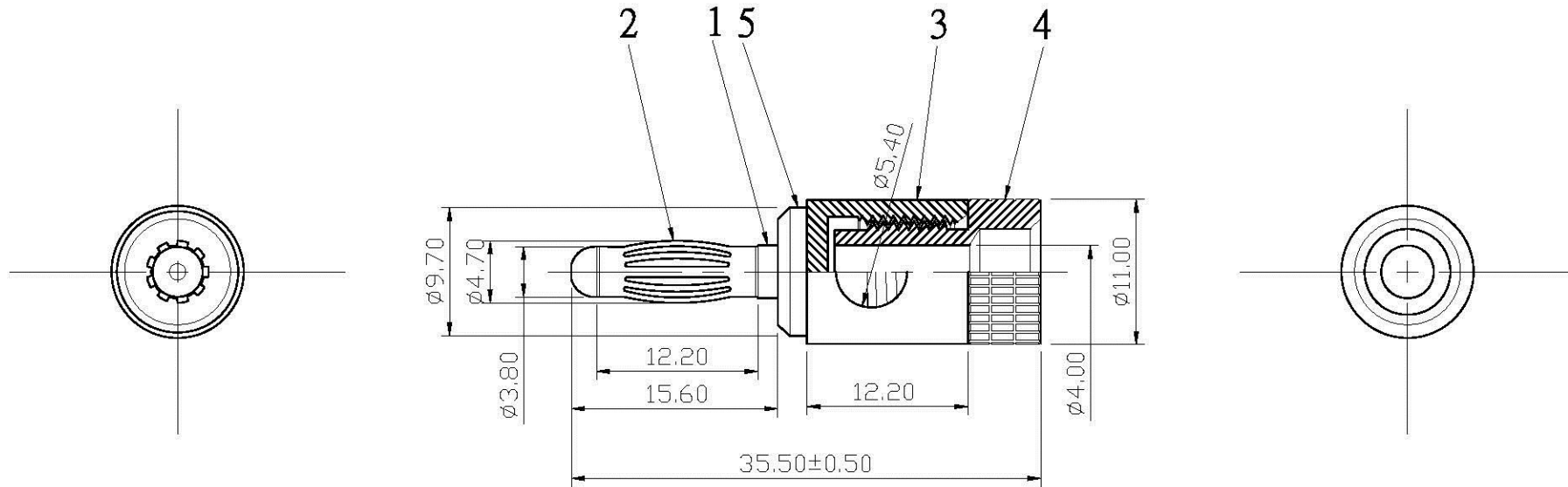



REMARK : RoHS REQUIREMENT APPLIED  
(符合RoHS)



S 1 : 1

NO.	Description	Unit	Materials	Finish	Drawing No.	SCALE	2 : 1	UNIT	MM	DATE	2007. 10. 18	APPROVED	 <small>www.allconnectors.de      info@allconnectors.de</small> <small>Tel.: 0049 711 700503      Fax: 0049 711 700504</small> <small>70779-1 Filderstadt - Germany      Kettenerstr. 25</small>					
7						DIMENSIONS ARE IN MILLIMETERS  UNLESS OTHERWISE PECIFIED TOLERANCES (一般公差) 0.5-6 = $\pm 0.1$ >6-30 = $\pm 0.15$ >30-120 = $\pm 0.2$ >120-315 = $\pm 0.3$ >315-1000 = $\pm 0.4$ ANGLES(角度) = $\pm 3'$						CHECKED		TITLE <b>BANANA PLUG</b>				
6					DRAWN							Tina				DRAWING NO.		<b>BP-126GG(BeCu)-SH5.4-BK/RD-4.0</b>
5	gasket	1	plastic	black/red	DATE							2007. 10. 18		FILE NO. DRAWING\AUDIO\BP\BP-126GG(BeCu)-SH5.4-BK/RD-4.0				
4	handlock	1	brass	gold														
3	shell	1	brass	gold														
2	contact pin	1	beryllium copper	gold														
1	body	1	brass	gold														