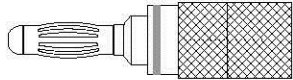
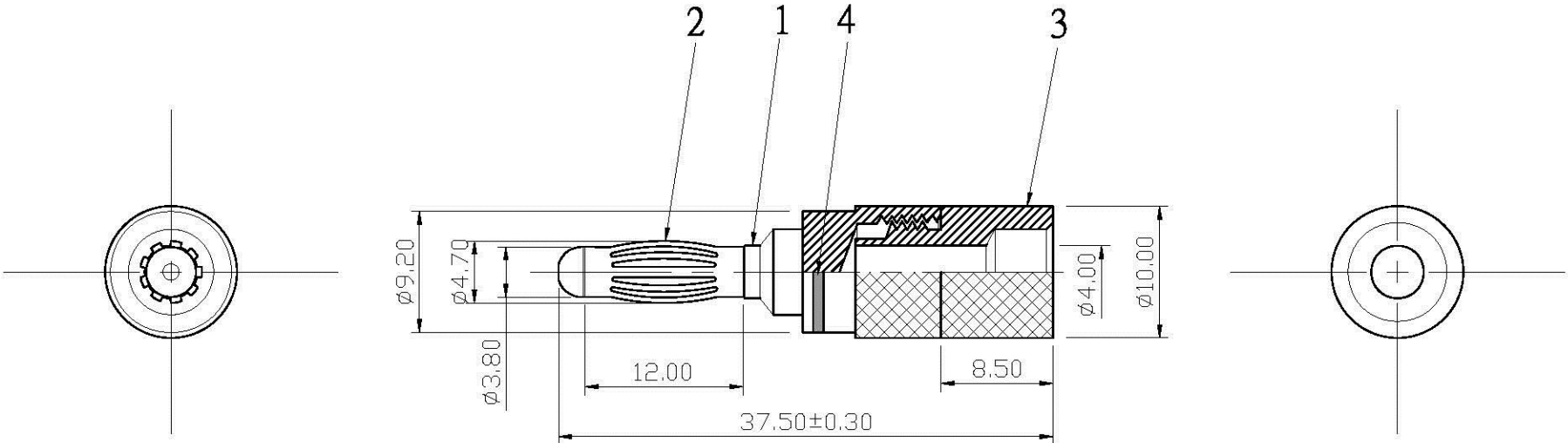



REMARK : RoHS REQUIREMENT APPLIED  
(符合RoHS)



S 1 : 1

7						DIMENSIONS ARE IN MILLIMETERS  UNLESS OTHERWISE PECIFIED TOLERANCES (一般公差) 0.5~6 = ±0.1 >6~30 = ±0.15 >30~120 = ±0.2 >120~315 = ±0.3 >315~1000 = ±0.4 ANGLES(角度) = ±3°	APPROVED	 www.allconnectors.com    info@allconnectors.com Tel: +0049 711 7099908    Fax: +0049 711 7099904 W/29-Hilberstadt, Germany    Kettelerstr. 25			
6					CHECKED						
5							DRAWN				
4	color ring	1	painting	blue/black/red/ green/yellow/white			<i>Tina</i>		TITLE		
3	head lock	1	brass	gold					BANANA PLUG		
2	contact pin	1	beryllium copper	gold		DATE	DRAWING NO.				
1	body	1	brass	gold		2007. 12. 24	BP-124GG(BeCu)-BE/BK/RD/GN/YW/WE-4.0				
NO.	Description	Unit	Materials	Finish	Drawing No.	SCALE	2 : 1	UNIT	MM	FILE NO.	DRAWINGAUDIOBPBP-124GG(BeCu)-BE/BK/RD/GN/YW/WE-4.0