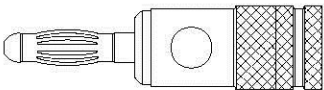
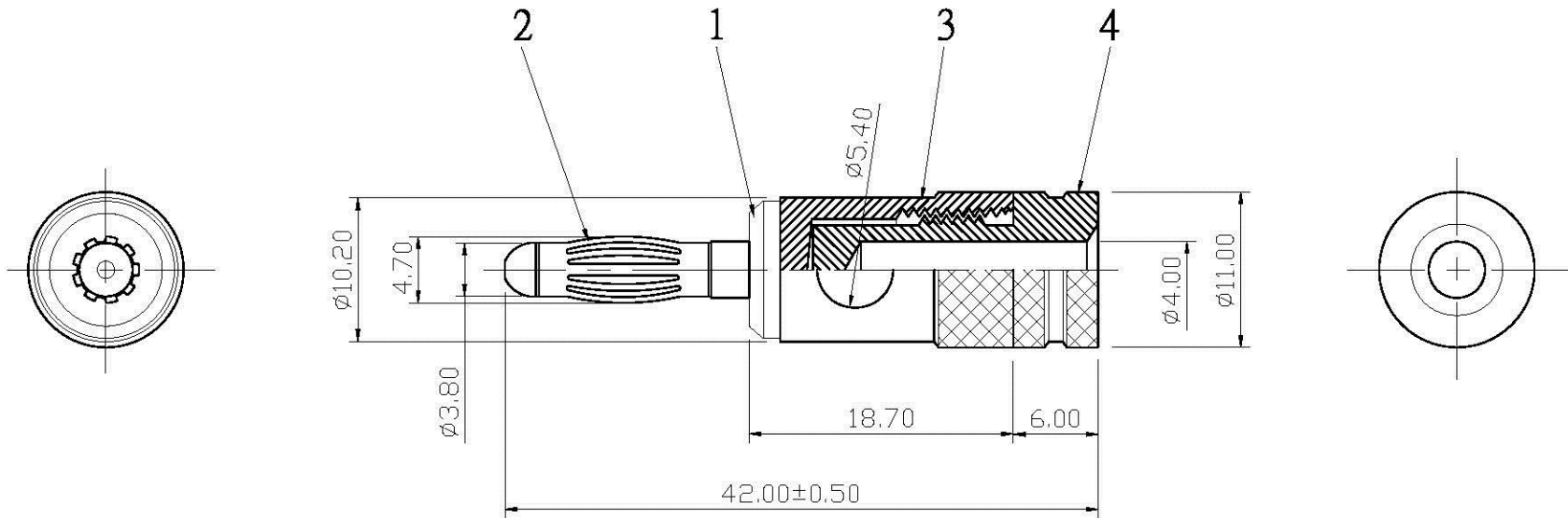



REMARK : RoHS REQUIREMENT APPLIED
(符合RoHS)



S 1 : 1

7						DIMENSIONS ARE IN MILLIMETERS UNLESS OTHERWISE PECIFIED TOLERANCES (一般公差) 0.5-6 = ±0.2 >6-30 = ±0.4 >30-120 = ±0.6 >120-315 = ±1 >315-1000 = ±1.6 ANGLES(角度) = ±5°	APPROVED	 www.allconnectors.de Tel.: 0049 /11 7009502 70794 Tilderstedt - Germany info@allconnectors.de Fax: 0049 /11 7009504 Kettlerstr. 25	
6					CHECKED				
5					DRAWN				
4	headlock	1	brass	gold	<i>Lala</i>		TITLE		BANANA PLUG
3	body	1	brass	gold	DATE		DRAWING NO.		BP-123GG(BeCu)-SH5.4-RD/BK-4.0
2	contact pin	1	beryllium copper	gold	2008. 12. 05	FILE NO.	DRAWING\AUDIO\BP\BP-123GG(BeCu)-SH5.4-RD/BK-4.0		
1	washer	1	plastic	red/black					
NO.	Description	Unit	Materials	Finish	Drawing No.	SCALE	2 : 1	UNIT	MM