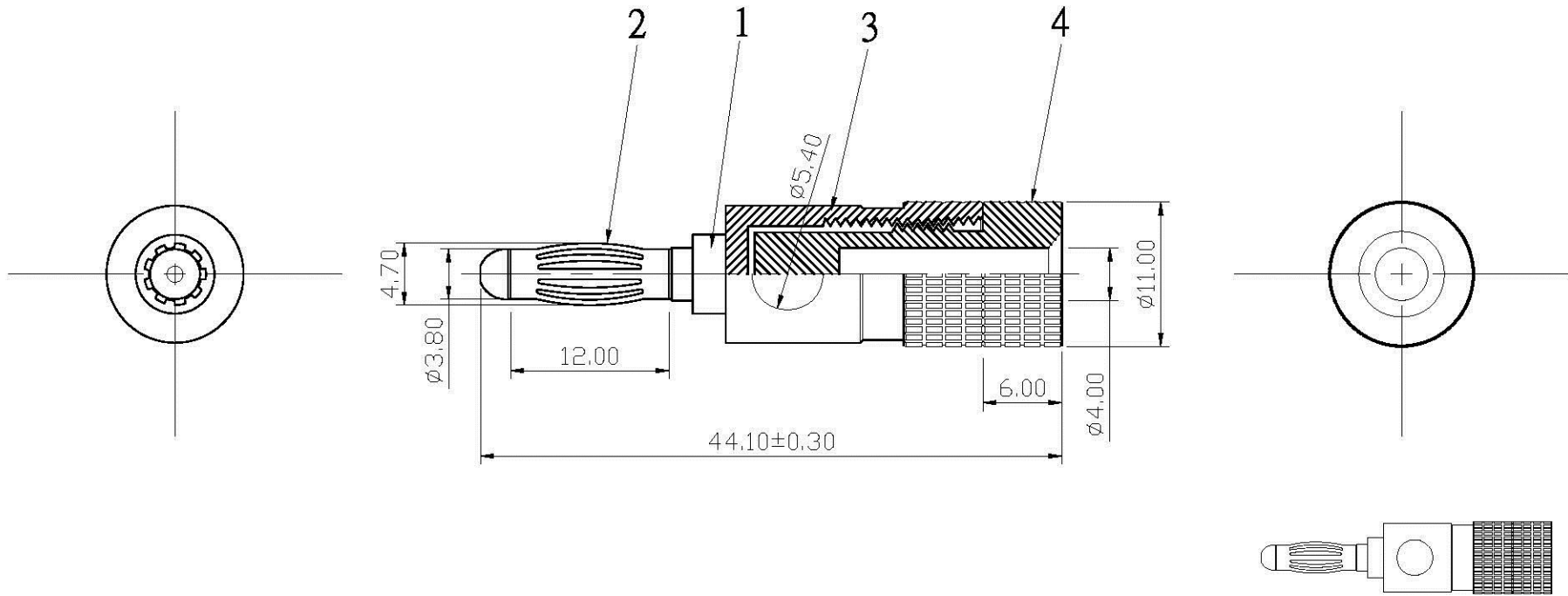


The tolerance without marking are all  $\pm 0.25\text{mm}$

REMARK : RoHS REQUIREMENT APPLIED  
(符合RoHS)



S 1 : 1

### COMPONENTS LIST

NO.	Description	Unit	Materials	Finish	Drawing No.
1	body	1	brass	gold	
2	contact	1	beryllium copper	gold	
3	shell	1	brass	gold	
4	headlock	1	brass	gold	
5					

校對 Check		核准 Approved		 www.allconnectors.de      info@allconnectors.de Tel.: 0749 711 7002503      Fax: 0749 711 7002504 70794 Filderstadt - Germany      Kettenstr. 25	
繪圖 Drawing By		Tina		2005.08.31	
SCALE		2 : 1		UNIT	
				MM	
圖名 TITLE		BANANA PLUG			
型號 PART NO.		BP-122GG(BeCu)-SH5.4-4.0			
圖號 DRAWING NO.		05083103-3			