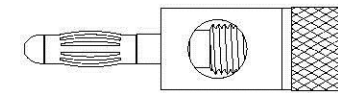
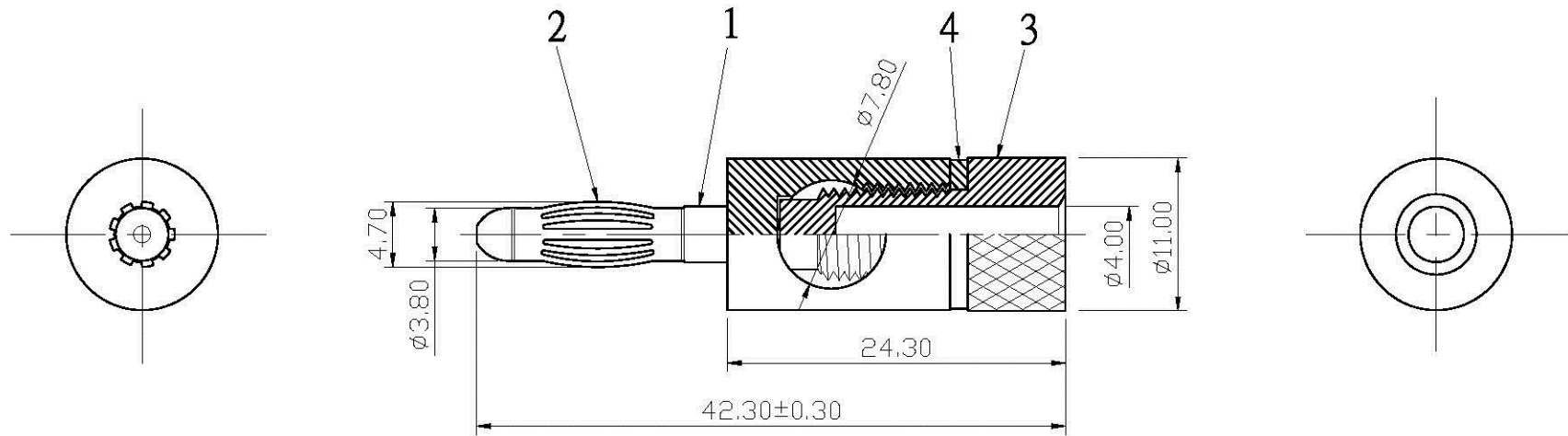


REMARK : RoHS REQUIREMENT APPLIED
(符合RoHS)



S 1 : 1

7						DIMENSIONS ARE IN MILLIMETERS UNLESS OTHERWISE PECIFIED TOLERANCES (一般公差) 0.5-6 = ±0.1 >6-30 = ±0.15 >30-120 = ±0.2 >120-315 = ±0.3 >315-1000 = ±0.4 ANGLES(角度) = ±3°	APPROVED	 www.allconnectors.de info@allconnectors.de TEL: 0049 711 2009503 70794 Filderstadt - Germany FAX: 0049 711 2009504 Kettenerstr. 25		
6					CHECKED		TITLE			
5					DRAWN		BANANA PLUG			
4	gasket	1	plastic	red/black			DRAWING NO.			
3	headlock	1	brass	gold			BP-121GG(BeCu)-SH7.8-RD/BK-4.0			
2	contact pin	1	beryllium copper	gold			FILE NO. DRAWING/AUDIO/BP/BP-121GG(BeCu)-SH7.8-RD/BK-4.0			
1	body	1	brass	gold		DATE				
NO.	Description	Unit	Materials	Finish	Drawing No.	SCALE	2 : 1	UNIT	MM	2007. 11. 30