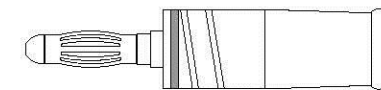
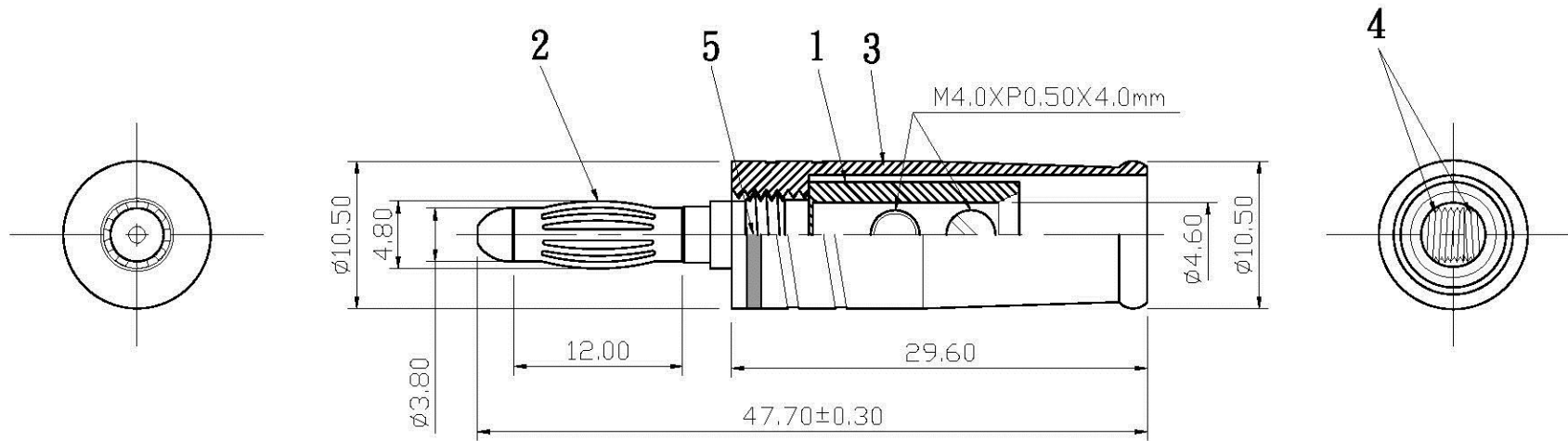


REMARK : RoHS REQUIREMENT APPLIED  
(符合RoHS)



S1:1

7						DIMENSIONS ARE IN MILLIMETERS  UNLESS OTHERWISE PECIFIED TOLERANCES (一般公差) 0.5~6 = ±0.2 >6~30 = ±0.4 >30~120 = ±0.6 >120~315 = ±1 >315~1000 = ±1.6 ANGLES(角度) = ±5°	APPROVED	 www.allconnectors.de Tel.: 0049 711 7009503 70754 Eilbehrndorf, Germany info@allconnectors.de Fax: 0049 711 7009504 Kellereiweg 25	
6					CHECKED				
5	color ring	1	PVC	red/white/black			TITLE		BANANA PLUG
4	screw	2	brass	gold	SCREW-105G-M4XP0.5X4.0mm(φ 3.8)		DRAWN		Lala
3	shell	1	brass	zinc alloy			DATE		2007. 08. 21
2	contact	1	beryllium copper	gold			DRAWING NO.		BP-120ZAG(BeCu)-RD/WE/BK-4.6
1	body	1	brass	gold		FILE NO.	DRAWING\AUDIO\BP\BP-120ZAG(BeCu)-RD/WE/BK-4.6		
NO.	Description	Unit	Materials	Finish	Drawing No.	SCALE	2 : 1	UNIT	MM