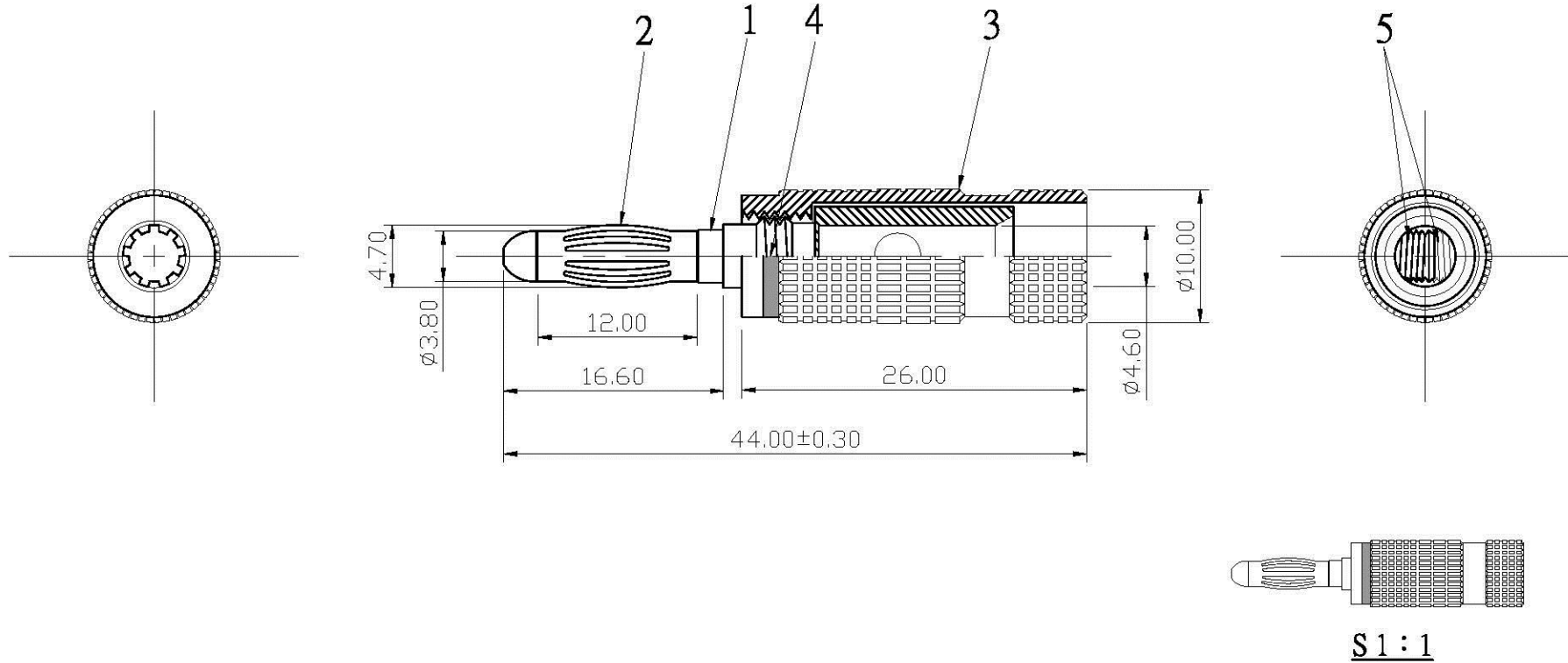


The tolerance without marking are all $\pm 0.25\text{mm}$

REMARK : RoHS REQUIREMENT APPLIED
(符合RoHS)



COMPONENTS LIST

| NO. | Description | Unit | Materials | Finish | Drawing No. |
|-----|-------------|------|------------------|-------------------|-------------|
| 1 | body | 1 | brass | gold | |
| 2 | contact | 1 | beryllium copper | gold | |
| 3 | shell | 1 | brass | nickle | |
| 4 | color ring | 1 | PVC | black/red(nature) | |
| 5 | screw | 2 | brass | gold | |

| | | | | | |
|------------------|--|----------------|--|---|--|
| 校對 Check | | 核准 Approved | |  | |
| | | | | <small>www.allconnectors.de Tel.: 0049 711 7009503 70794 Filzelsladt, Germany</small> | |
| 繪圖 Drawing By | | Tina | | 2005.08.23 | |
| SCALE | | 2 : 1 | | UNIT | |
| | | MM | | 圖號 DRAWING NO. | |
| | | | | BANANA PLUG | |
| | | | | 型號 PART NO. | |
| | | | | BP-119NG-BK/RD-4.6 | |
| | | | | 圖號 DRAWING NO. | |
| | | | | 05082301-3 | |