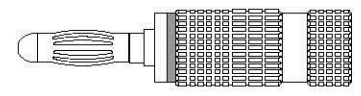
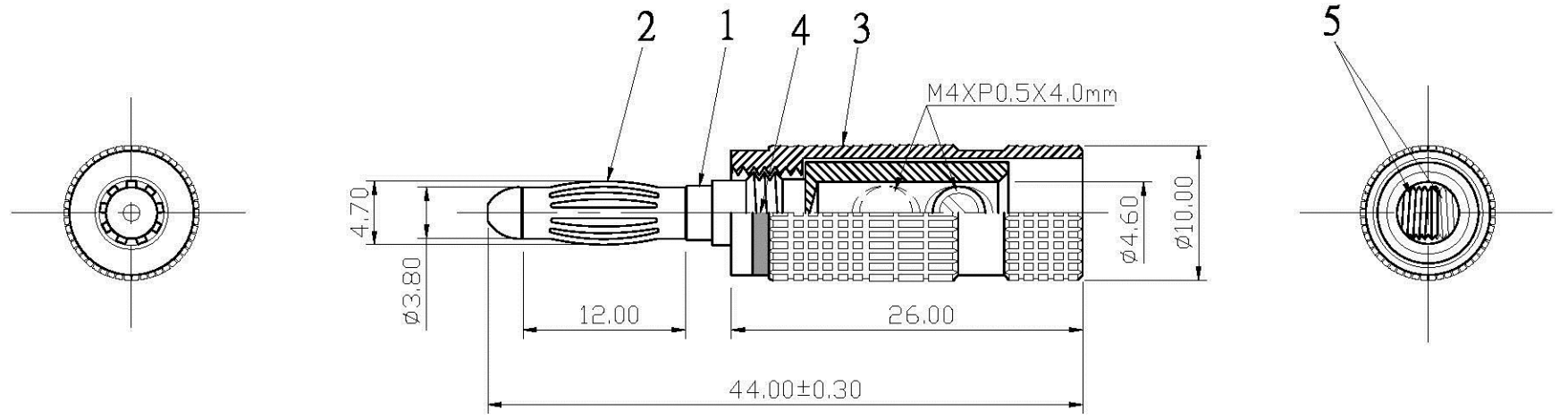


REMARK : RoHS REQUIREMENT APPLIED
(符合RoHS)



S 1 : 1

7						DIMENSIONS ARE IN MILLIMETERS UNLESS OTHERWISE PECIFIED TOLERANCES (一般公差) 0.5~6 = ±0.2 >6~30 = ±0.4 >30~120 = ±0.6 >120~315 = ±1 >315~1000 = ±1.6 ANGLES(角度) = ±5°	APPROVED	 www.allconnectors.de Tel.: 0049 711 7009503 23/94 Hildertstr. Germany info@allconnectors.de Fax.: 0049 711 7009504 Kettelerstr. 21	
6					CHECKED		TITLE		
5	screw	2	brass	gold	SCREW-105G-M4XP0.5X4.0mm(φ 3.8)		DRAWN		BANANA PLUG
4	color ring	1	pvc	red/black/blue white/yellow/green			<i>Lala</i>	DRAWING NO.	
3	shell	1	brass	gold			DATE	BP-118GG(BeCu)-RD/BK/BE/WE/YW/GN-4.6	
2	contact pin	1	beryllium copper	gold			2007.10.19	FILE NO. DRAWINGAUDIOBPBP-118GG(BeCu)-RD/BK/BE/WE/YW/GN-4.6	
1	body	1	brass	gold	BODY-BP-109G(BeCu)G-4.6				
NO.	Description	Unit	Materials	Finish	Drawing No.	SCALE	2 : 1	UNIT	MM