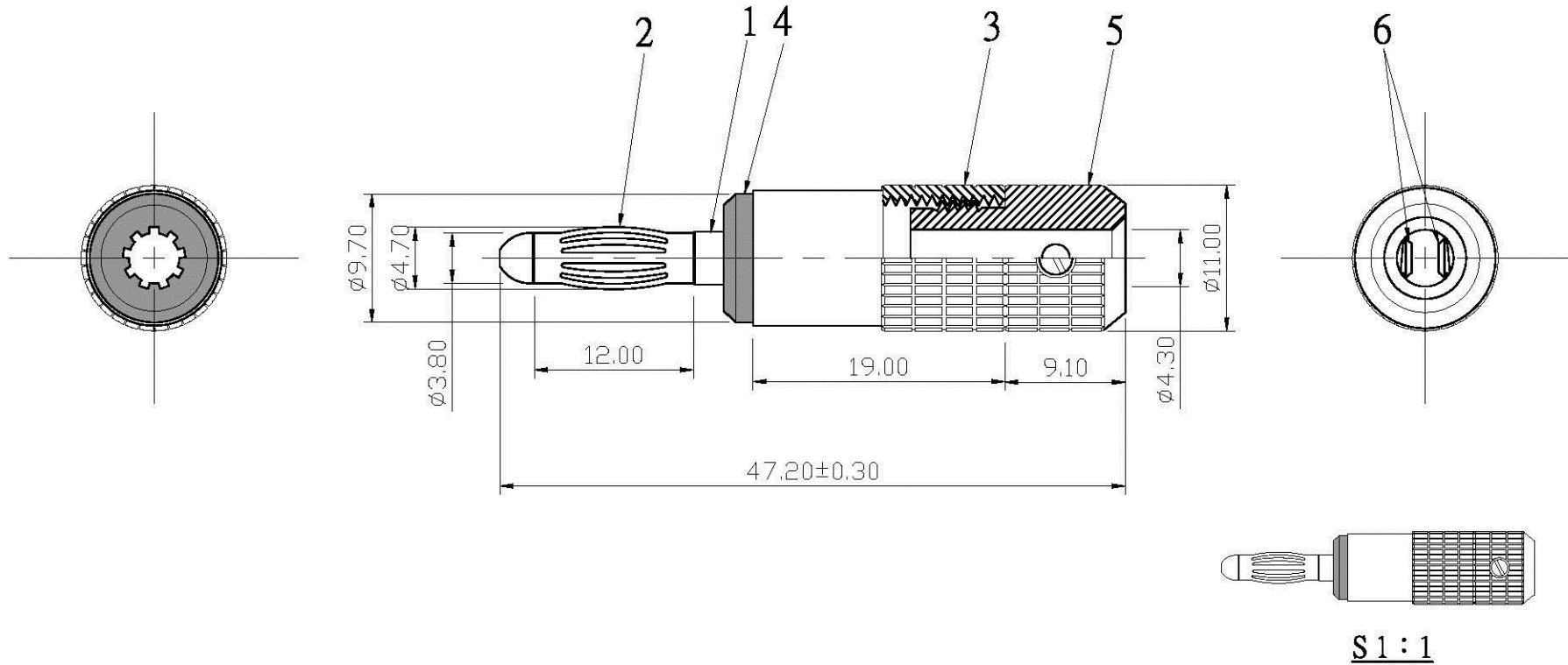


The tolerance without marking are all $\pm 0.25\text{mm}$

REMARK : RoHS REQUIREMENT APPLIED
(符合RoHS)



COMPONENTS LIST

NO.	Description	Unit	Materials	Finish	Drawing No.
1	body	1	brass	gold	
2	contact	1	beryllium copper	gold	
3	shell	1	brass	gold	
4	gasket	1	plastic	black/red(nature)	
5	headlock	1	brass	gold	
6	screw	2	brass	gold	

校對 Check	核准 Approved		
		<small>www.allconnectors.de Tel.: 0049 711 7009503 70724 Filderstadt - Germany</small>	
		圖名 TITLE	BANANA PLUG
繪圖 Drawing By	Tina	2005.08.22	型號 PART NO.
SCALE	2 : 1	UNIT	MM
		圖號 DRAWING NO.	05082203-3

www.allconnectors.de
Tel.: 0049 711 7009503
70724 Filderstadt - Germany

info@allconnectors.de
Fax: 0049 711 7000504
Kettnerstr. 25

圖名
TITLE

BANANA PLUG

型號
PART NO.

BP-117GG(BeCu)-BK/RD-4.3

圖號
DRAWING NO.

05082203-3