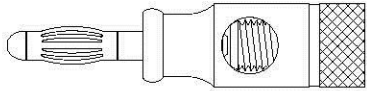
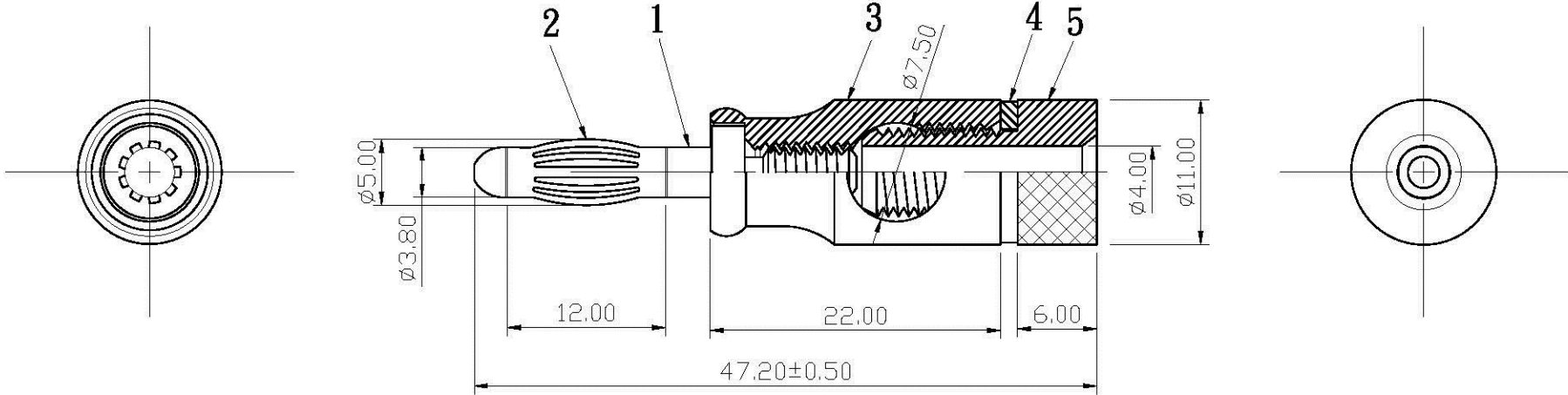


REMARK : RoHS REQUIREMENT APPLIED
(符合RoHS)



S 1 : 1

7						DIMENSIONS ARE IN MILLIMETERS UNLESS OTHERWISE PECIFIED TOLERANCES (一般公差) 0.5~6 = ±0.1 >6~30 = ±0.15 >30~120 = ±0.2 >120~315 = ±0.3 >315~1000 = ±0.4 ANGLES(角度) = ±3°	APPROVED	 www.allconnectors.de Tel.: 0049 711 7009503 70731 Hilderstadt - Germany info@allconnectors.de Fax: 0049 711 7009504 Kettnerstr. 25	
6					CHECKED				
5	headlock	1	brass	gold			DRAWN		TITLE
4	gasket	1	plastic	black/red			<i>Tina</i>		BANANA PLUG
3	shell	1	brass	gold			DATE		DRAWING NO.
2	contact pin	1	beryllium copper	gold		2008. 01. 29	BP-116GG(BeCu)-SH7.5-BK/RD-4.0		
1	body	1	brass	gold			FILE NO. DRAWING\AUDIO\BP\BP-116GG(BeCu)-SH7.5-BK/RD-4.0		
NO.	Description	Unit	Materials	Finish	Drawing No.	SCALE	2 : 1	UNIT	MM