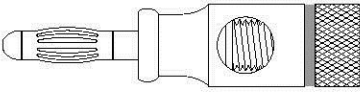
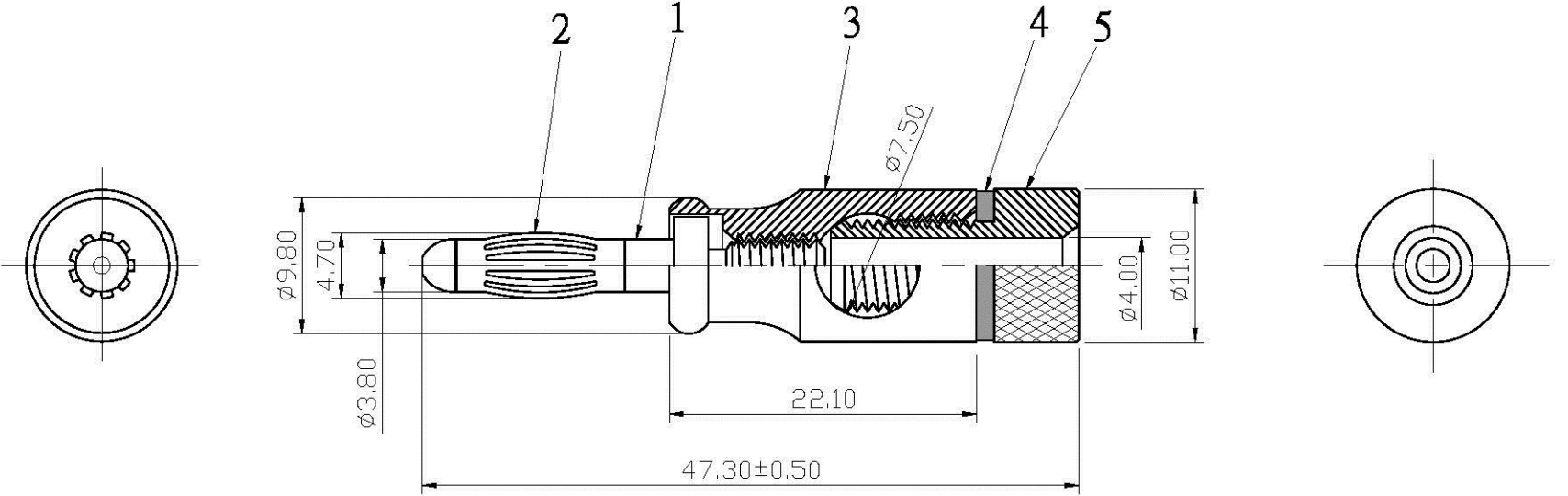



REMARK : RoHS REQUIREMENT APPLIED  
(符合RoHS)



S1:1

7						DIMENSIONS ARE IN MILLIMETERS  UNLESS OTHERWISE PECIFIED TOLERANCES (一般公差) 0.5-6 = ±0.2 >6-30 = ±0.4 >30-120 = ±0.6 >120-315 = ±1 >315-1000 = ±1.6 ANGLES(角度) = ±5°	APPROVED	 www.allconnectors.de info@allconnectors.de Tel.: 0349 /21 705503 Fax: 0349 /21 709504 41741 Ullersdorf - Germany Kettenerstr. 25			
6					CHECKED						
5	headlock	1	brass	gold	DRAWN						
4	gasket	1	plastic	red/black/blue	<i>Lala</i>						
3	shell	1	brass	zinc alloy	DATE						
2	contact pin	1	beryllium copper	gold	2008.01.07	TITLE	BANANA PLUG				
1	body	1	brass	gold		DRAWING NO.	BP-115ZAG(BeCu)-SH7.5-RD/BK/BE-4.0				
NO.	Description	Unit	Materials	Finish	Drawing No.	SCALE	2 : 1	UNIT	MM	FILE NO.	DRAWING\AUDIO\BP\BP-115ZAG(BeCu)-SH7.5-RD/BK/BE-4.0