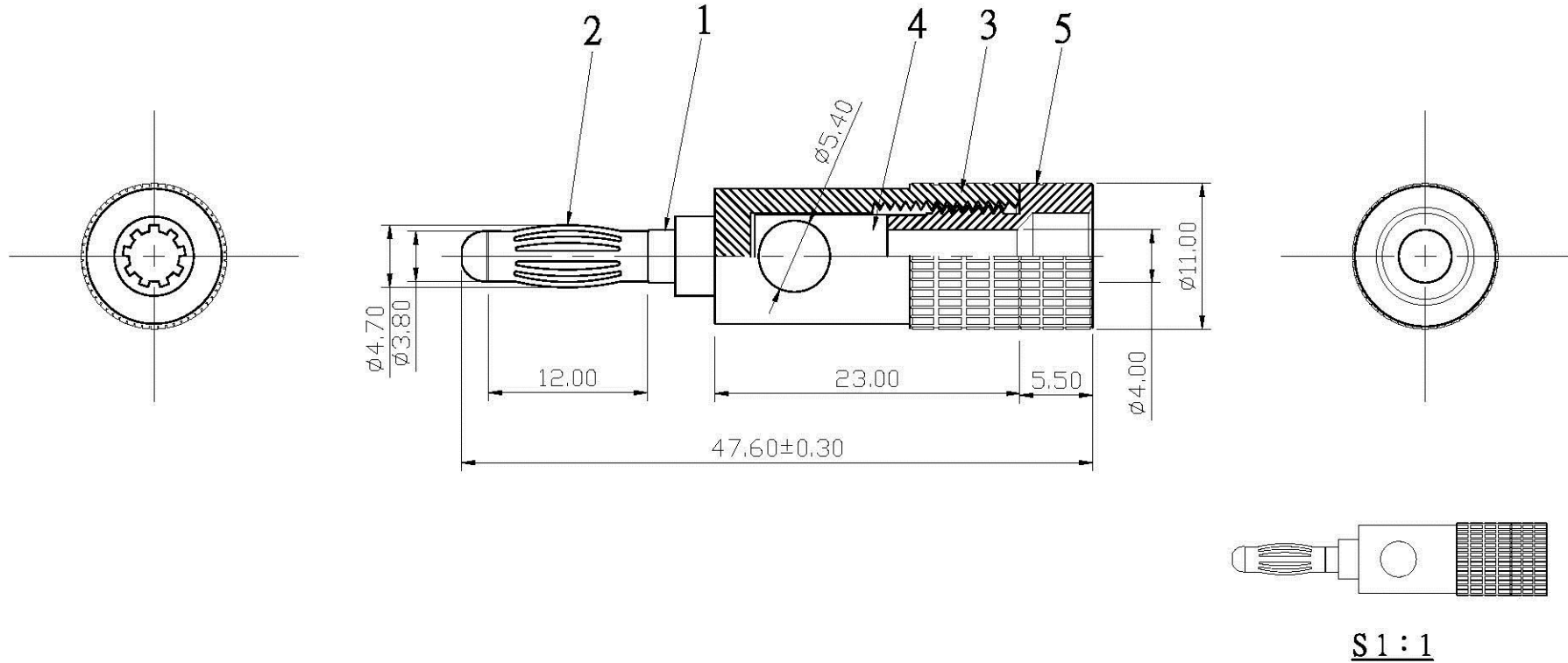


The tolerance without marking are all $\pm 0.25\text{mm}$

REMARK : RoHS REQUIREMENT APPLIED
(符合RoHS)



COMPONENTS LIST

NO.	Description	Unit	Materials	Finish	Drawing No.
1	body	1	brass	gold	
2	contact	1	beryllium copper	gold	
3	shell	1	brass	gold	
4	pillar	1	brass	gold	
5	headlock	1	brass	gold	

校對 Check		核准 Approved		 www.allconnectors.de Tel.: 0049 711 7009503 70724 Filderstadt - Germany info@allconnectors.de Fax: 0049 711 7009504 Kettnerstr. 25	
繪圖 Drawing By		Tina		2005.08.19	
SCALE		2 : 1		UNIT	
		MM		圖號 DRAWING NO.	
				BANANA PLUG	
				型號 PART NO.	
				BP-114GG-SH5.4-4.0	
				圖號 DRAWING NO.	
				05081902-3	