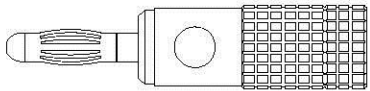
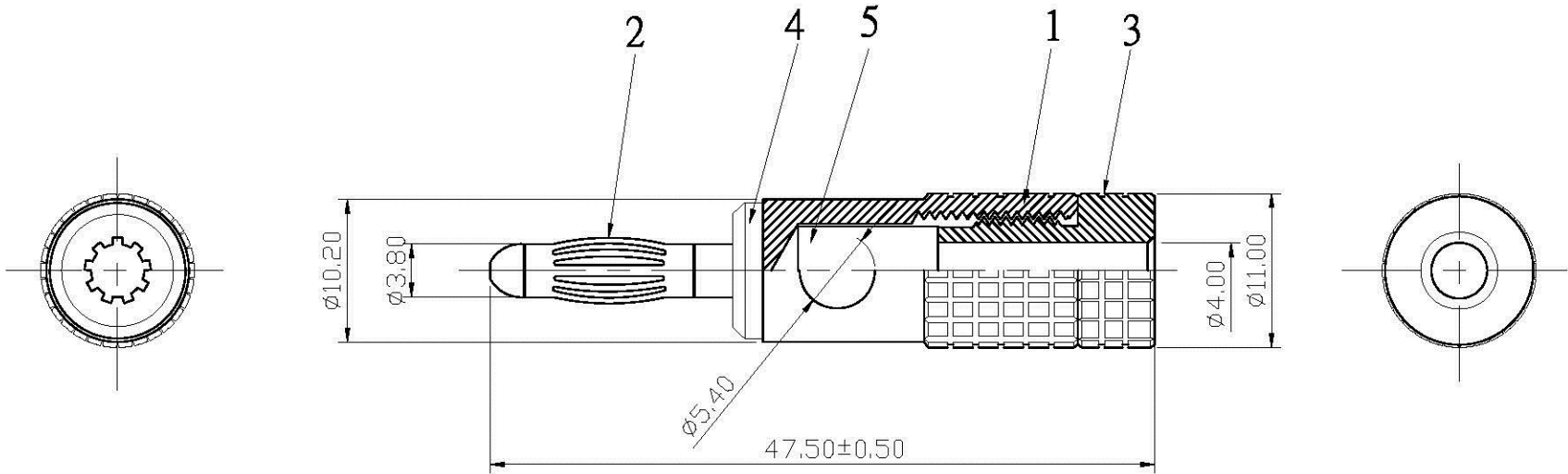


REMARK : RoHS REQUIREMENT APPLIED  
(符合RoHS)



S 1 : 1

7						DIMENSIONS ARE IN MILLIMETERS  UNLESS OTHERWISE PECIFIED TOLERANCES (一般公差) 0.5-6 = ±0.2 >6-30 = ±0.4 >30-120 = ±0.6 >120-315 = ±1 >315-1000 = ±1.6 ANGLES(角度) = ±5°	APPROVED	 www.allconnectors.de Tel.: 0049 711 7002503 70774 Filderstadt - Germany info@allconnectors.de Fax: 0049 711 7002504 Kettenstr. 25		
6					CHECKED		TITLE			
5	pillar	1	brass	gold			BANANA PLUG			
4	gasket	1	plastic	red/black			DRAWING NO.			
3	sleeve	1	brass	gold			BP-110GG(BeCu)-SH5.4-BK/RD-4.0			
2	contact pin	1	beryllium copper	gold			FILE NO.DRAWING\AUDIO\BPBP-110GG(BeCu)-SH5.4-BK/RD-4.0			
1	body	1	brass	gold		DATE				
NO.	Description	Unit	Materials	Finish	Drawing No.	SCALE	2 : 1	UNIT	MM	2008. 05. 09