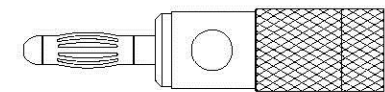
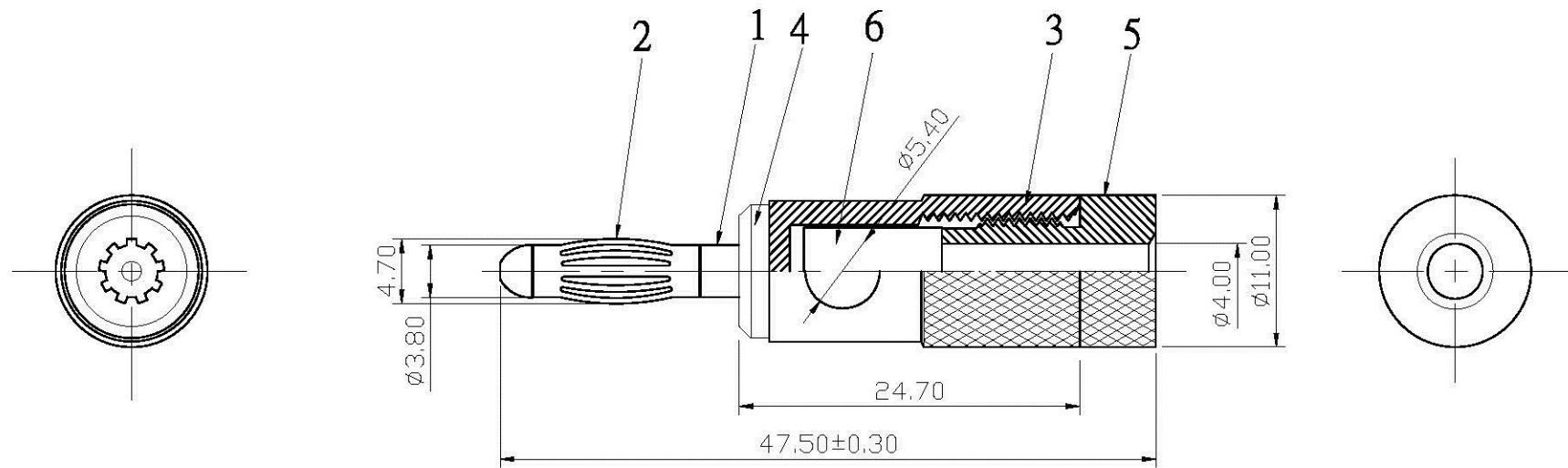



REMARK : RoHS REQUIREMENT APPLIED  
(符合RoHS)



S1:1

| NO. | Description | Unit | Materials        | Finish    | Drawing No. | SCALE  | 2 : 1 | UNIT | MM |          |  |  |  |
|-----|-------------|------|------------------|-----------|-------------|--|-------|------|----|----------|--|--|--|
| 7   |             |      |                  |           |             | DIMENSIONS ARE IN MILLIMETERS<br>UNLESS OTHERWISE PECIFIED TOLERANCES<br>(一般公差)<br>0.5-6 = ±0.2<br>>6-30 = ±0.4<br>>30-120 = ±0.6<br>>120-315 = ±1<br>>315-1000 = ±1.6<br>ANGLES(角度) = ±5°                                       |       |      |    |          |  |  |  |
| 6   | pillar      | 1    | brass            | gold      |             |  |       |      |    | APPROVED |  |  |  |
| 5   | headlock    | 1    | brass            | gold      |             |  |       |      |    | CHECKED  |  |  |  |
| 4   | gasket      | 1    | plastic          | red/black |             |  |       |      |    | DRAWN    |  |  |  |
| 3   | shell       | 1    | brass            | gold      |             |  |       |      |    | Lala     |  |  |  |
| 2   | contact pin | 1    | beryllium copper | gold      |             |  |       |      |    | DATE     |  |  |  |
| 1   | body        | 1    | brass            | gold      |             | 2007.11.19   |       |      |    |          |  |  |  |
|     |             |      |                  |           |             | <br>www.allconnectors.de info@allconnectors.de<br>Tel.: 0049 711 709508 Fax: 0049 711 709504<br>70794 Filderstadt - Germany Kettenerstr. 25 |       |      |    |          |  |  |  |
|     |             |      |                  |           |             | TITLE  |       |      |    |          |  |  |  |
|     |             |      |                  |           |             | BANANA PLUG  |       |      |    |          |  |  |  |
|     |             |      |                  |           |             | DRAWING NO.  |       |      |    |          |  |  |  |
|     |             |      |                  |           |             | BP-109GG(BeCu)-SH5.4-BK/RD-4.0   |       |      |    |          |  |  |  |
|     |             |      |                  |           |             | FILE NO. DRAWING\AUDIO\BP\BP-109GG(BeCu)-SH5.4-BK/RD-4.0   |       |      |    |          |  |  |  |