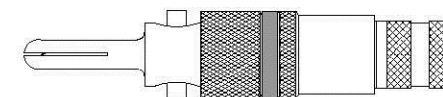
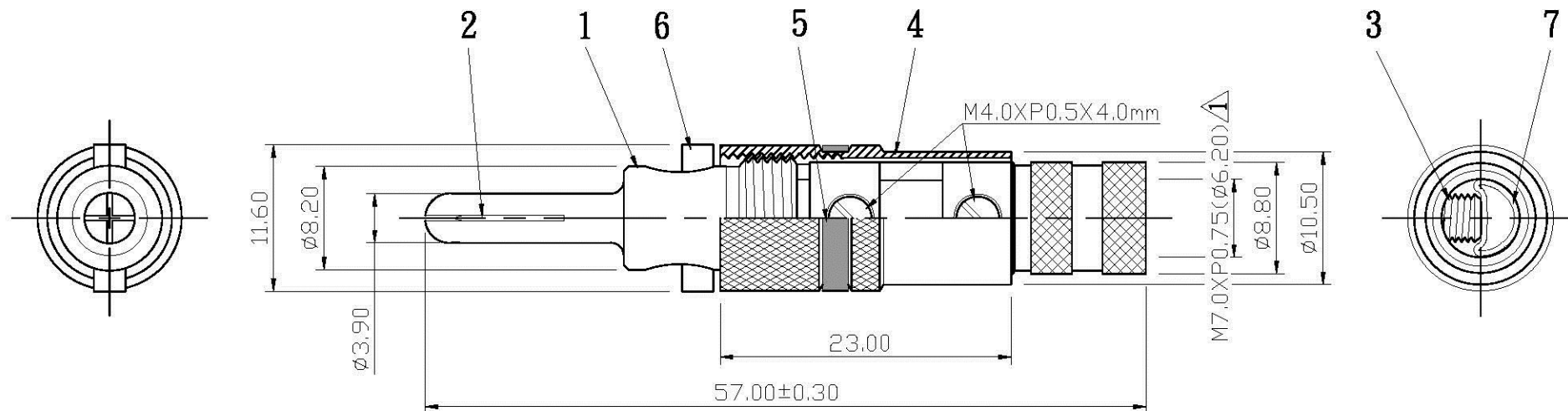


No.	DATE	DESCRIPTION	REV
△	2009. 05. 20	Original dimation □6.20	A

REMARK : RoHS REQUIREMENT APPLIED
(符合RoHS)



S1:1

7	sleeve	1	pvc	transparent		DIMENSIONS ARE IN MILLIMETERS UNLESS OTHERWISE PECIFIED TOLERANCES (一般公差) 0.5-6 = ±0.2 >6-30 = ±0.4 >30-120 = ±0.6 >120-315 = ±1 >315-1000 = ±1.6 ANGLES(角度) = ±5°	APPROVED	 www.allconnectors.de Tel.: 0049 711 7009503 70794 Filderstadt - Germany info@allconnectors.de Fax: 0049 711 7009504 Kettenerstr. 25	
6	cleat	1	brass	gold			CHECKED		TITLE
5	color ring	1	pvc	red/black/white			DRAWN		BANANA PLUG
4	shell	1	brass	sandblast gold			<i>Lala</i>	DRAWING NO.	
3	screw	2	brass	gold	SCREW-104G-M4XP0.5X4.0mm		DATE	BP-107sbGG-RD/BK/WE-6.2	
2	contact pin	1	brass	gold			2008. 02. 16	FILE NO.	
1	body	1	brass	gold			DRAWINGAUDIOBPBP-107sbGG-RD/BK/WE-6.2		
NO.	Description	Unit	Materials	Finish	Drawing No.	SCALE	2 : 1	UNIT	MM