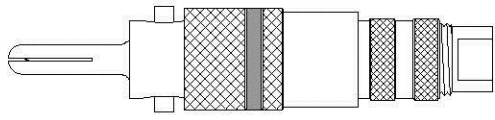
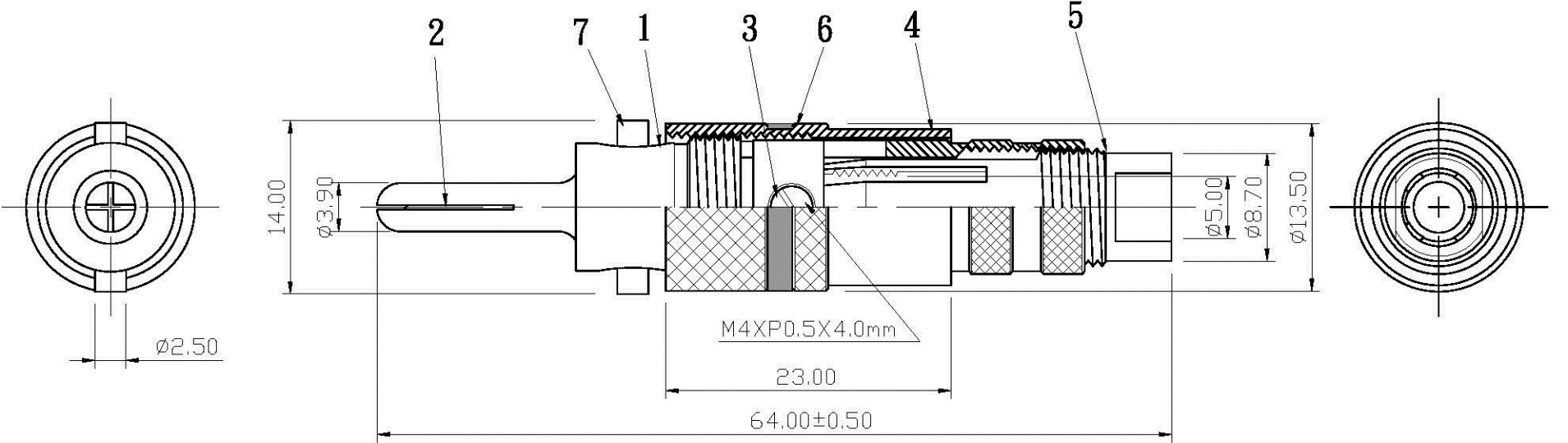


REMARK : RoHS REQUIREMENT APPLIED
(符合RoHS)



S1:1

7	cleat	1	brass	gold		DIMENSIONS ARE IN MILLIMETERS UNLESS OTHERWISE PECIFIED TOLERANCES (一般公差) 0.5~6 = ±0.2 >6~30 = ±0.4 >30~120 = ±0.6 >120~315 = ±1 >315~1000 = ±1.6 ANGLES(角度) = ±5°	APPROVED	 www.allconnectors.de Tel.: 0049 711 7005503 70794 Hilderstadt, Germany info@allconnectors.de Fax: 0049 711 7005504 Ketteimergasse 25	
6	color ring	1	pvc	red/black/white			CHECKED		TITLE
5	headlock	1	brass	gold			DRAWN		BANANA PLUG
4	shell	1	brass	gold			<i>Lala</i>	DRAWING NO.	
3	screw	1	brass	gold	SCREW-104G-M4XP0.5X4.0mm		DATE	BP-105GG-RD/BK/WE-5.0	
2	contact pin	1	brass	gold			2007. 10. 25	FILE NO.	
1	body	1	brass	gold			DRAWINGAUDIO\BP\BP-105GG-RD/BK/WE-5.0		
NO.	Description	Unit	Materials	Finish	Drawing No.	SCALE	2 : 1	UNIT	MM