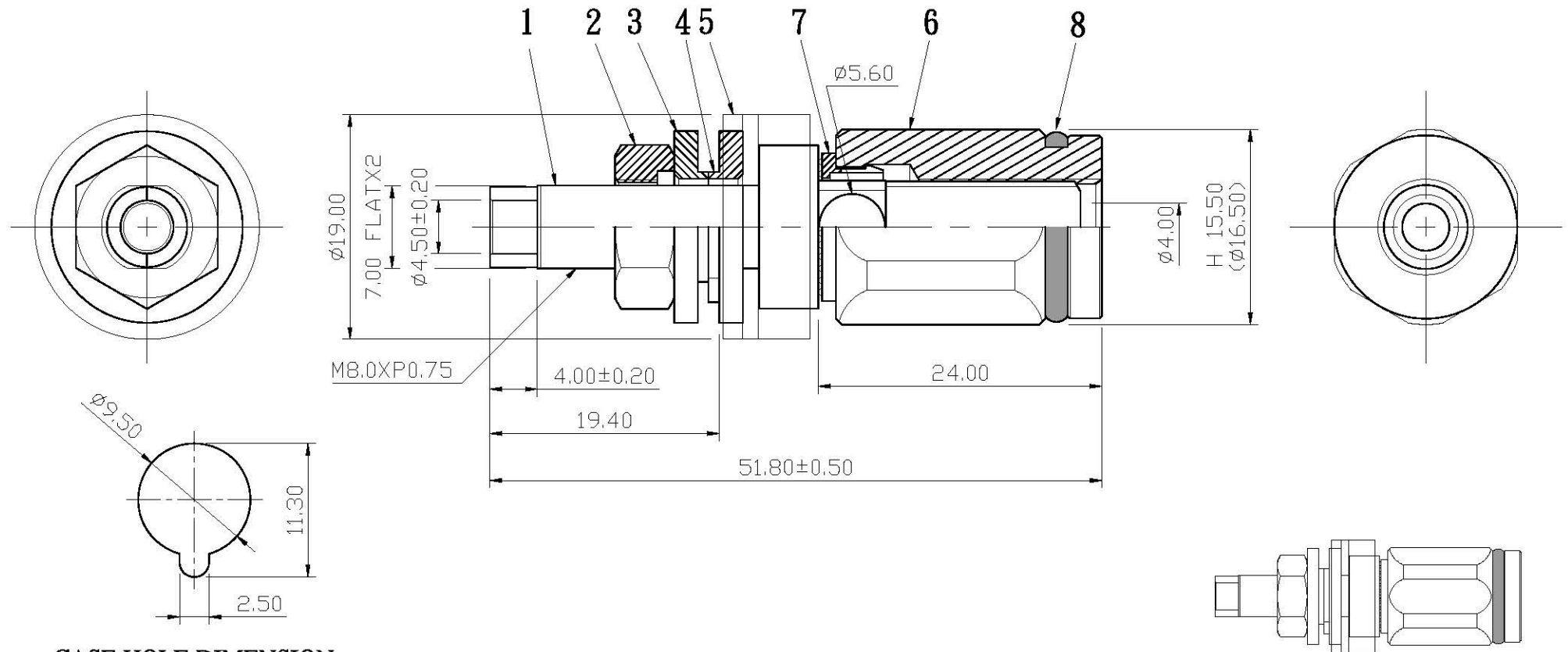



REMARK : RoHS REQUIREMENT APPLIED
(符合RoHS)



CASE HOLE DIMENSION

S 1 : 1

NO.	Description	Unit	Materials	Finish	Drawing No.	SCALE	2 : 1	UNIT	MM	
8	color ring	1	rubber	red/white						
7	sleeve	1	brass	gold						
6	shell	1	brass	mattle black coated						
5	shell	1	PC (polycarbonate)	transparent						
4	washer	1	plastic	red/white						
3	washer	1	plastic	red/white						
2	hexagon nut	1	brass	gold						
1	body	1	brass	gold						
						DIMENSIONS ARE IN MILLIMETERS UNLESS OTHERWISE PECIFIED TOLERANCES (一般公差) 0.5~6 = ±0.2 >6~30 = ±0.4 >30~120 = ±0.6 >120~315 = ±1 >315~1000 = ±1.6 ANGLES(角度) = ±5°		CHECKED DRAWN <i>Jordan</i> DATE 2017.06.14		 www.allconnectors.de Tel.: 0049 711 7009503 70794 Filderstadt - Germany info@allconnectors.de Fax: 0049 711 7009504 Kettenerstr. 25
								TITLE BINDING POST		
								DRAWING NO. BI-210MBCG-RD&WE-20mm		
								FILE NO. DRAWING 僅供參考 AUDIO\BI\BI-210MBCG-RD&WE-20mm		