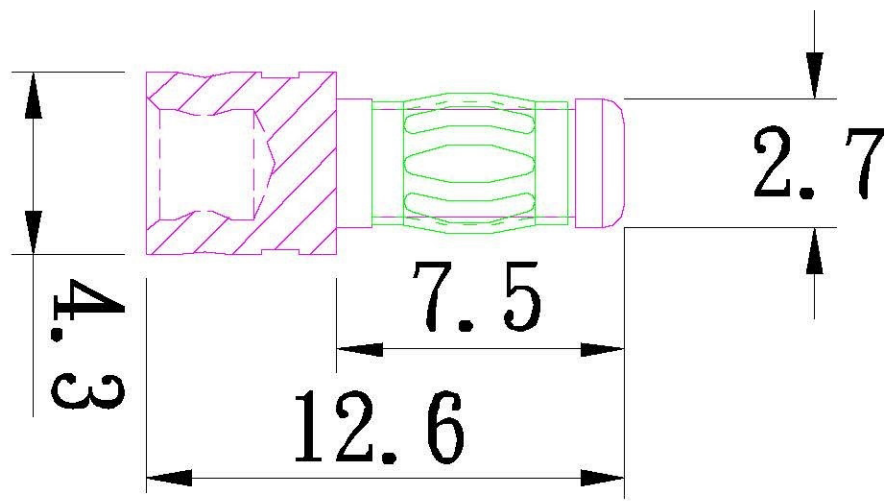


1 2 3 4 5 6 7 8 9 0

J
I
H
G
F
E
D
C
B
A



BHP-MS-027-LF
LEADFREE
RoHS Compliant

Allconnectors
www.allconnectors.de
Tel.: 0049 711 7009503
70791 Filderstadt - Germany

info@allconnectors.de
Fax: 0049 711 7009504
Kellernstr. 25

PART NO. BHP-MS-027		CHECKED BY CY		TOLERANCES ARE X ± .X ± .XX ± .XXX ± ANG	DESCRIPTION: 遙控模型金插			
DWG NO. BHP-MS-027		DRAWING BY			AREA	REVISIONS		DATE
FILE NO.		PROJECTION						
UNIT / mm	SCALE 1:1							