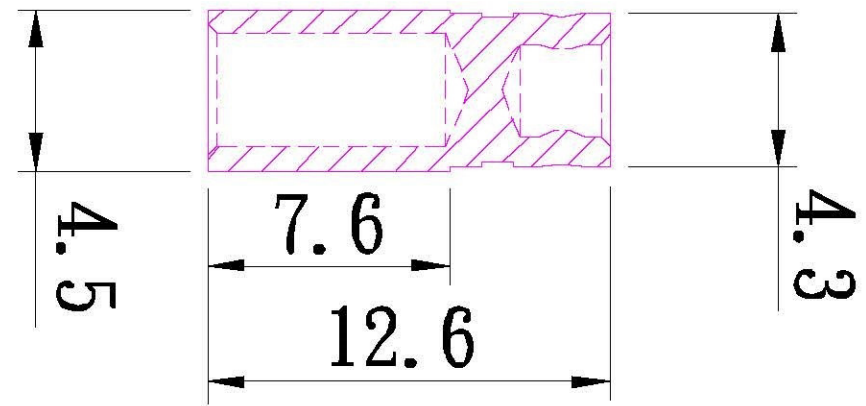


1 2 3 4 5 6 7 8 9 0

J
I
H
G
F
E
D
C
B
A



BHP-FS-027-LF
LEADFREE
RoHS Compliant

Allconnectors
www.allconnectors.de
Tel.: 0049 711 7005003
70794 Filderstadt - Germany

info@allconnectors.de
Fax: 0049 711 7005004
Kellenmeierstr. 25

PART NO. BHP-FS-027		CHECKED BY CY		TOLERANCES ARE X ± .X ± .XX ± .XXX ± ANG	DESCRIPTION: 遙控模型金插			
DWG NO. BHP-FS-027		DRAWING BY			AREA	REVISIONS	DATE	
FILE NO.		PROJECTION		UNIT / mm		SCALE 1:1		