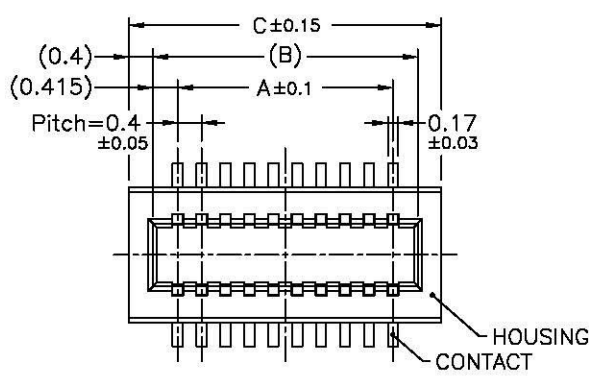
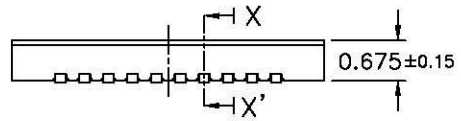


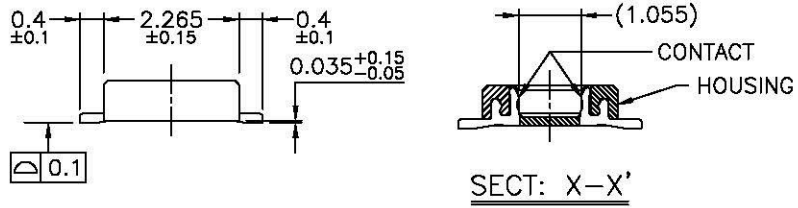
NP0410-P02X-xxx-LF  
 LEADFREE  
 RoHS Compliant



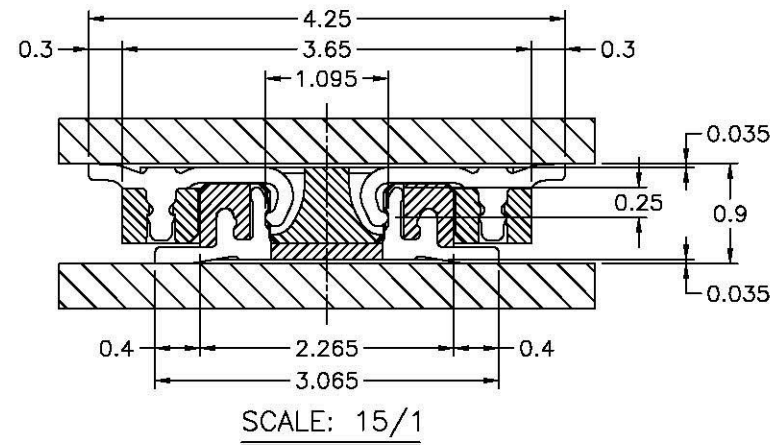
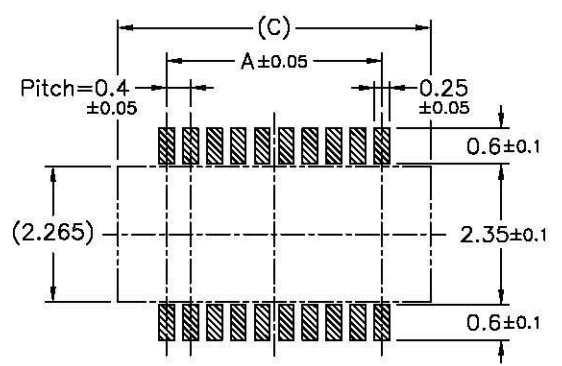
NOTE:  
 1.MATERIAL:  
 HOUSING:THERMOPLASTIC  
 CONTACTS:COPPER ALLOY  
 2.PLATING:SEE ORDERING INFORMATION  
 3.RATING:  
 OPERATING VOLTAGE:50V  
 CURRENT RATING:0.3A  
 OPERATING TEMPERATURE:-25°C ~ +85°C



PCB Layout



MATED DRAWING(REF.)



No.of Contacts	Catalog No.	DIM. A	DIM. B	DIM. C
10	NP0410-P02X-010	1.6	2.43	3.23
12	NP0410-P02X-012	2.0	2.83	3.63
14	NP0410-P02X-014	2.4	3.23	4.03
16	NP0410-P02X-016	2.8	3.63	4.43
18	NP0410-P02X-018	3.2	4.03	4.83
20	NP0410-P02X-020	3.6	4.43	5.23
22	NP0410-P02X-022	4.0	4.83	5.63
24	NP0410-P02X-024	4.4	5.23	6.03
26	NP0410-P02X-026	4.8	5.63	6.43
28	NP0410-P02X-028	5.2	6.03	6.83
30	NP0410-P02X-030	5.6	6.43	7.23
32	NP0410-P02X-032	6.0	6.83	7.63
34	NP0410-P02X-034	6.4	7.23	8.03
36	NP0410-P02X-036	6.8	7.63	8.43
38	NP0410-P02X-038	7.2	8.03	8.83
40	NP0410-P02X-040	7.6	8.43	9.23
42	NP0410-P02X-042	8.0	8.83	9.63
44	NP0410-P02X-044	8.4	9.23	10.03
46	NP0410-P02X-046	8.8	9.63	10.43
48	NP0410-P02X-048	9.2	10.03	10.83
50	NP0410-P02X-050	9.6	10.43	11.23
52	NP0410-P02X-052	10.0	10.83	11.63
54	NP0410-P02X-054	10.4	11.23	12.03
56	NP0410-P02X-056	10.8	11.63	12.43
58	NP0410-P02X-058	11.2	12.03	12.83
60	NP0410-P02X-060	11.6	12.43	13.23
62	NP0410-P02X-062	12.0	12.83	13.63
64	NP0410-P02X-064	12.4	13.23	14.03
66	NP0410-P02X-066	12.8	13.63	14.43
68	NP0410-P02X-068	13.2	14.03	14.83
70	NP0410-P02X-070	13.6	14.43	15.23
72	NP0410-P02X-072	14.0	14.83	15.63
74	NP0410-P02X-074	14.4	15.23	16.03
76	NP0410-P02X-076	14.8	15.63	16.43
78	NP0410-P02X-078	15.2	16.03	16.83
80	NP0410-P02X-080	15.6	16.43	17.23

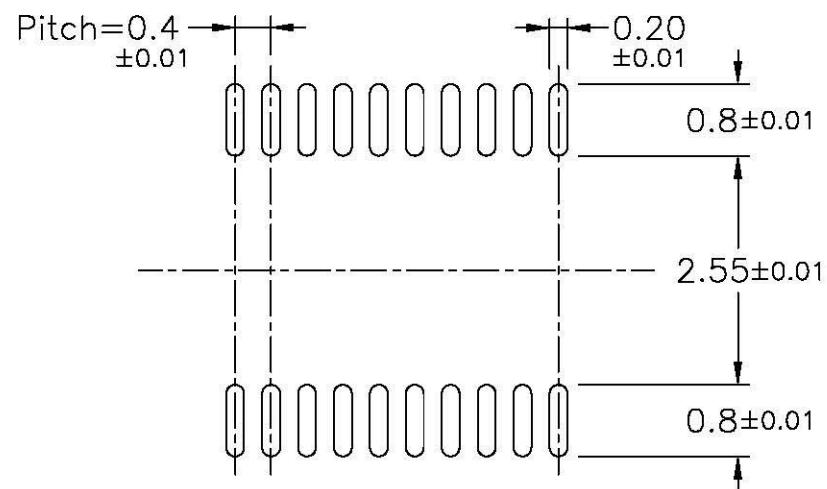
**All Connectors**  
 www.allconnectors.de  
 info@allconnectors.de  
 Tel.: 0049 (0) 39 002502  
 Fax: 0049 (0) 39 002504  
 39254 Pilsbichler, Germany  
 Kempten, DE

PART NO. NP 041 0-P02X- xxx		CHECKED BY CY		TOLERANCES ARE .X±0.2 .XX±0.1 .XXX± AWG	DESCRIPTION: 0.4mm Pitch B-T0-B Connector			
DWG NO. NP0410-P02X- xxx		DRAWING BY			AREA	REVISIONS	HK	DATE
UNIT / mm	SCALE 1:1	PROJECTION						

# Recommended metal mask pattern

Metal mask thickness : 0.1mm

• MALE



**Allconnectors**

www.allconnectors.de  
Tel.: 0049 711 7009503  
70754 Filderstadt - Germany

info@allconnectors.de  
Fax: 0049 711 7009504  
Kulldammstr. 25

PART NO. NP0410- P02X -xxx

DWG NO. NP0410- P02X -xxx

FILE NO.

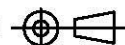
UNIT / mm

SCALE 1:1

CHECKED BY CY

DRAWING BY

PROJECTION



TOLERANCES ARE

.X ±0.2  
.XX ±0.1  
.XXX ±  
AWG

DESCRIPTION:

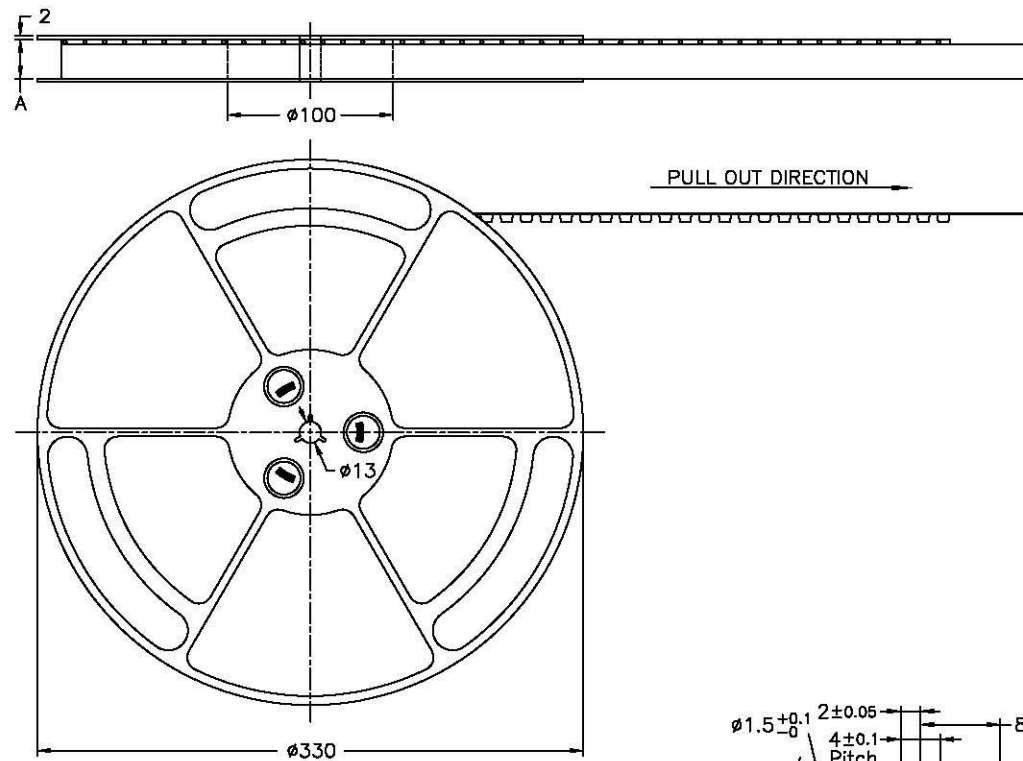
AREA

REVISIONS

HK

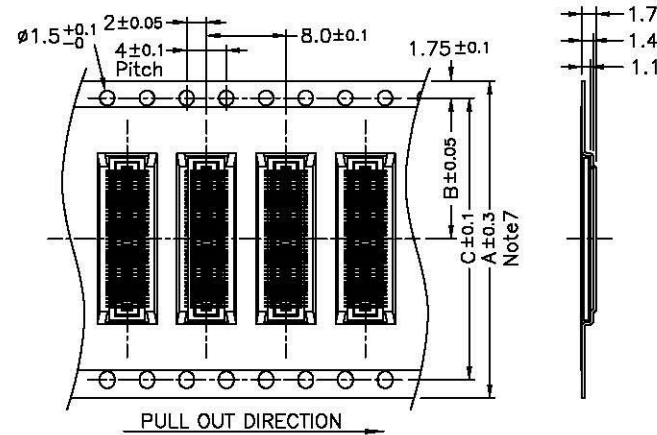
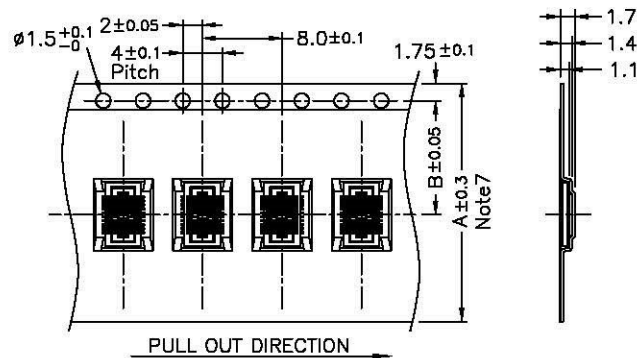
DATE

# EMBOSSED TAPE PACKING BB409 SERIES FEMALE TYPE



**Note:**

- 1.10 sprocket hole pitch cumulative tolerance  $\pm 0.2$ .
2. Carrier camber is within 1 mm in 250mm.
3. Material : Black Conductive Polystyrene Alloy.
4. All dimensions meet EIA-481-B requirements.
5. Thickness :  $0.3 \pm 0.05$ mm.
6. Component load per 13" reel : 5000pcs.
7. For tape width (dimension A) 12/16 and 24mm a pilot hole is provided on one side.  
For tape width (dimension A) 32mm pilot holes are provided on both sides.



No. of Contacts	DIM. A	DIM. B	DIM. C
10 ↓ 12	12	5.5	—
14 ↓ 32	16	7.5	—
34 ↓ 68	24	11.5	—
70 ↓ 80	32	14.2	28.4

**Allconnectors**

www.allconnectors.de  
Tel: 0049 717 909504  
70745 Fildesbach, Germany

info@allconnectors.de  
Fax: 0049 717 909514  
Kilbingerstr. 25

PART NO. NP0410-xxxx-xxx

DWG NO. NP0410-xxxx-xxx

FILE NO.

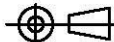
UNIT / mm

SCALE 1:1

CHECKED BY CY

DRAWING BY

PROJECTION



TOLERANCES ARE

X ± 0.2  
.XX ± 0.1  
.XXX ±  
AWG

DESCRIPTION:

0.4mm Pitch B-T0-B Connector

AREA

REVISIONS

HK

DATE