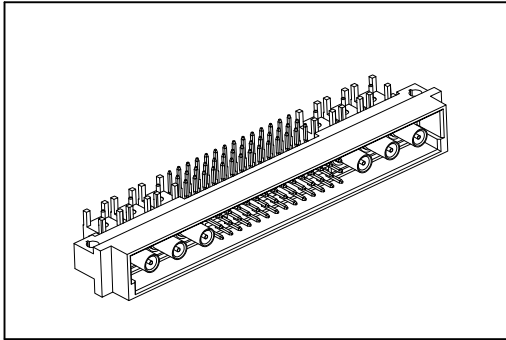


9001- Series

DIN41612 M Type Male



Material:

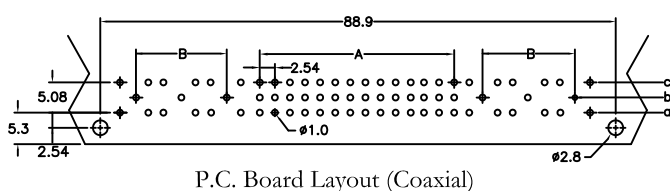
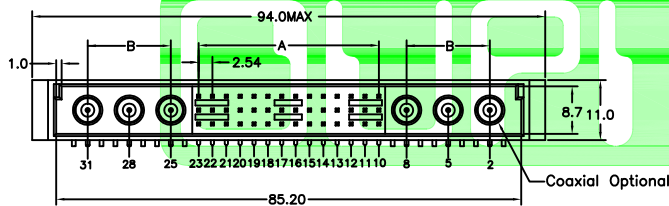
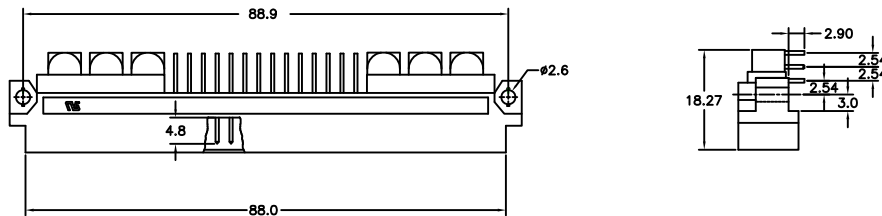
Housing: 30% Glass Filled PBT UL94V-0.
Contacts: Copper Alloy.
Coaxial or Power: Cu Alloy.

Electrical Characteristics:

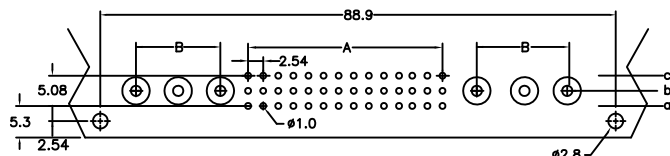
Current Rating: 2 A.
Dielectric Withstanding Voltage: AC 1000V.
Insulator Resistance: 1000MΩ min.
Contact Resistance: 20mΩ max.
Operating Temperature: -55°C ~ +125°C.

Features:

- * Mates with Female 9001-92
9001-94



P.C. Board Layout (Coaxial)



P.C. Board Layout (Power)

Dimension				
A	(2.54 x No of Contact)/3-2.54			
B	(7.62 x No of Coaxial)/2-7.62			
Pitch	Position	Rows with Contacts	Contact Arrange	with Coaxial Or Power
2.54mm	78	a b c	$\begin{matrix} \cdots \cdots \cdots c \\ \cdots \cdots \cdots b \\ \cdots \cdots \cdots a \end{matrix}$	2 Pcs 7 6 5 4
	60	a b c	$\begin{matrix} \cdots \cdots \cdots c \\ \cdots \cdots \cdots b \\ \cdots \cdots \cdots a \end{matrix}$	4 Pcs 10 9 8 7
	42	a b c	$\begin{matrix} \cdots \cdots \cdots c \\ \cdots \cdots \cdots b \\ \cdots \cdots \cdots a \end{matrix}$	6 Pcs 13 12 11 10
	24	a b c	$\begin{matrix} \cdots \cdots \cdots c \\ \cdots \cdots \cdots b \\ \cdots \cdots \cdots a \end{matrix}$	8 Pcs 16 15 14 13
	6	a b c	$\begin{matrix} \cdots \cdots \cdots c \\ \cdots \cdots \cdots b \\ \cdots \cdots \cdots a \end{matrix}$	10 Pcs 19 18 17 16
	52	a - c	$\begin{matrix} \cdots \cdots \cdots c \\ \cdots \cdots \cdots a \end{matrix}$	2 Pcs 7 6 5 4
	40	a - c	$\begin{matrix} \cdots \cdots \cdots c \\ \cdots \cdots \cdots a \end{matrix}$	4 Pcs 10 9 8 7
	28	a - c	$\begin{matrix} \cdots \cdots \cdots c \\ \cdots \cdots \cdots a \end{matrix}$	6 Pcs 13 12 11 10
	16	a - c	$\begin{matrix} \cdots \cdots \cdots c \\ \cdots \cdots \cdots a \end{matrix}$	8 Pcs 16 15 14 13
	4	a - c	$\begin{matrix} \cdots \cdots \cdots c \\ \cdots \cdots \cdots a \end{matrix}$	10 Pcs 19 18 17 16

Ordering information

9001- Series	9	1	42	06	C	00	D	A
		1: Male	Position	02: With 2 Coaxial or Power 04: With 4 Coaxial or Power 06: With 6 Coaxial or Power 08: With 8 Coaxial or Power 10: With 10 Coaxial or Power	C: Dip Tin Contact Gold G: Gold	00: G/F 10: 10μ" 15: 15μ" 30: 30μ"	D: Dip Type	A: Tray Package

* The Special Contacts Must be Ordered Separately, Pls Refer to Page CC03.