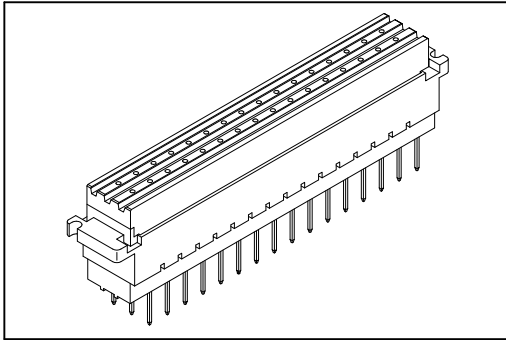


9001 Series

DIN41612 F Type Female



Material:

Housing: 30% Glass Filled PBT UL94V-0.

Contacts: Copper Alloy.

Electrical Characteristics:

Current Rating: 5.6 A.

Dielectric Withstanding Voltage: AC 1000V.

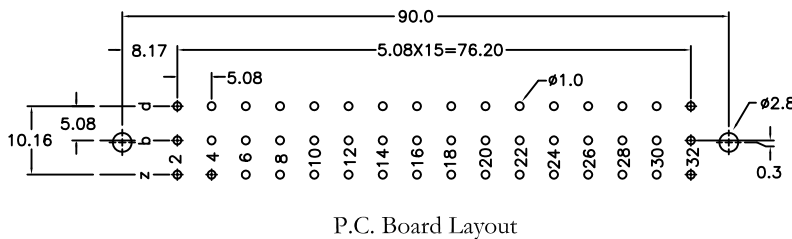
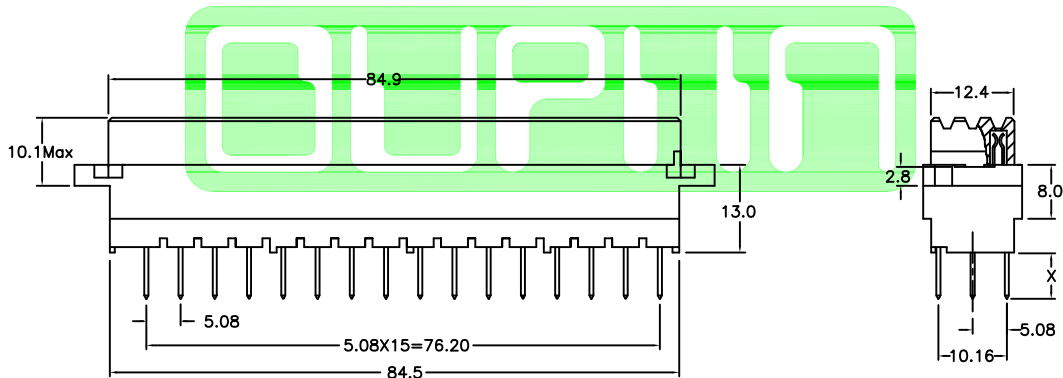
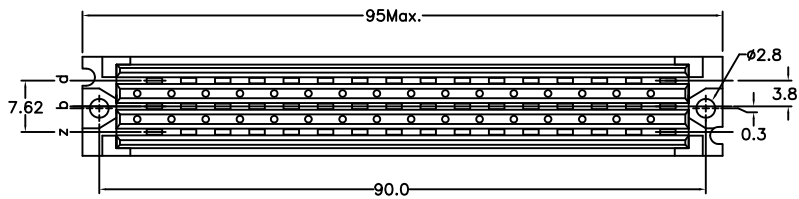
Insulator Resistance: 1000MΩ min.

Contact Resistance: 15mΩ max.

Operating Temperature: -55°C ~+125°C.

Features:

- * Mates with Male 3Row 9001-61481C



P.C. Board Layout

Pitch	Position	Rows with Contacts	Contact Arrange	X Length	
				1	2
5.08mm	48	z b d		4.5	
	32	z - d			
	18	z - -			

Ordering information

<u>9001-</u>	<u>62</u>	<u>48</u>	<u>1</u>	<u>C</u>	<u>00</u>	<u>A</u>
Series	2: Female	Position	1: Dip Length	C: Dip Tin Contact Gold G: Gold	00: G/F 10: 10 μ" 30: 30 μ"	A: Tray Package

*Standard Gold Flash.