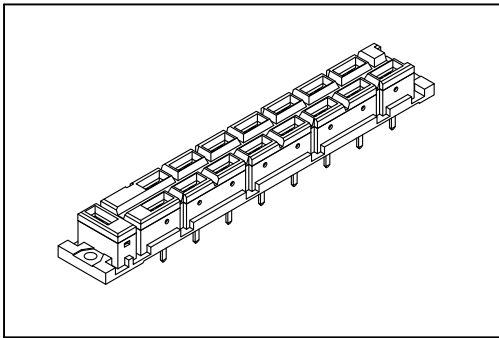


9001 Series

DIN41612 H15+1 Type Female



Material:

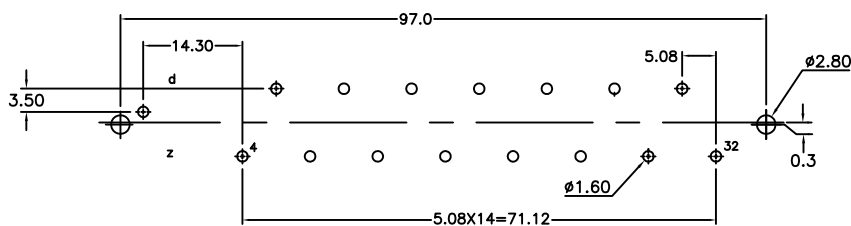
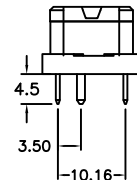
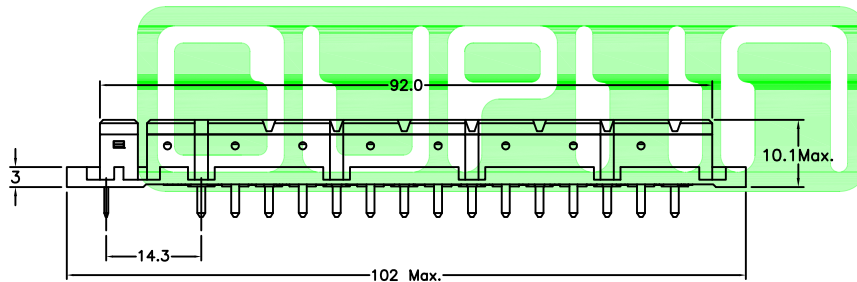
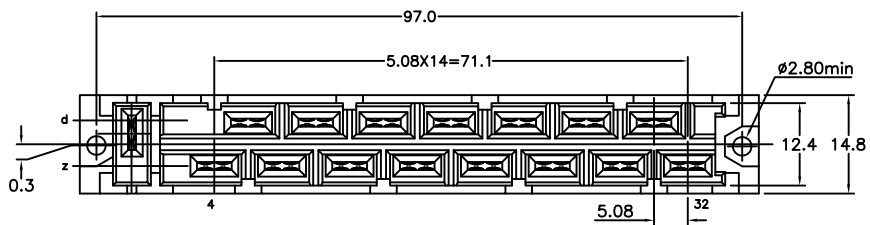
Housing: 30% Glass Filled PBT UL94V-0.
Contacts: Copper Alloy.

Electrical Characteristics:

Current Rating: 15 A.
Dielectric Withstanding Voltage: AC 3100V.
Insulator Resistance: 1000MΩ min.
Contact Resistance: 8mΩ max.
Operating Temperature: -55°C ~+125°C.

Features:

* Power Connectors.



P.C. Board Layout

Ordering information

9001-	52	16	3	T	A
Series	2: Female	Position	3: Dip Length	A: AG/NI Plating T: TIN/NI Plating	A: Tray Package