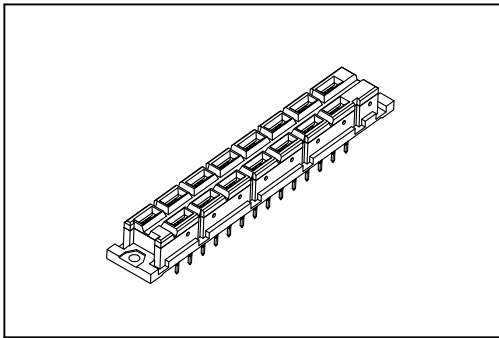


# 9001 Series

## DIN41612 H15 Press Fit Type Female



### Material:

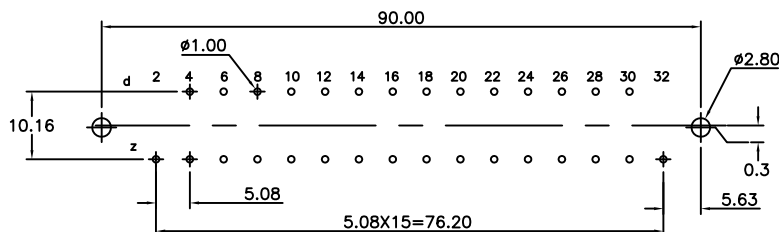
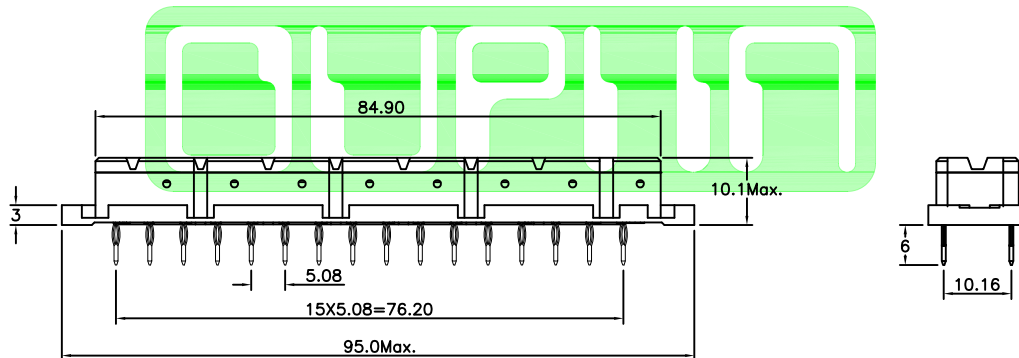
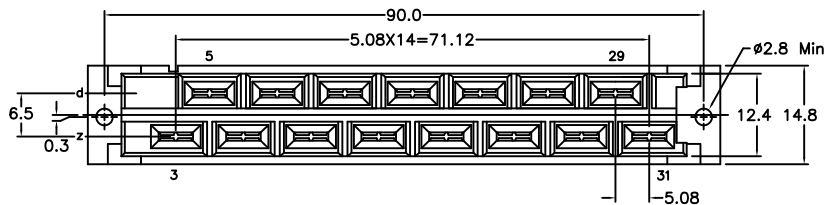
Housing: 30% Glass Filled PBT UL94V-0.  
Contacts: Copper Alloy.

### Electrical Characteristics:

Current Rating: 15 A.  
Dielectric Withstanding Voltage: AC 3100V.  
Insulator Resistance: 1000MΩ min.  
Contact Resistance: 8mΩ max.  
Operating Temperature: -55°C ~+125°C.

### Features:

- \* Power Connectors.
- \* Mates with 9001-5115.



P.C. Board Layout

## Ordering information

|                 |                 |                |                    |                   |  |                         |
|-----------------|-----------------|----------------|--------------------|-------------------|--|-------------------------|
| 9001-<br>Series | 52<br>2: Female | 15<br>Position | 1<br>1: Dip Length | P<br>P: Press Fit | A<br>A: AG/NI Plating<br>T: TIN/NI Plating | A<br>A: Tray<br>Package |
|-----------------|-----------------|----------------|--------------------|-------------------|--|-------------------------|