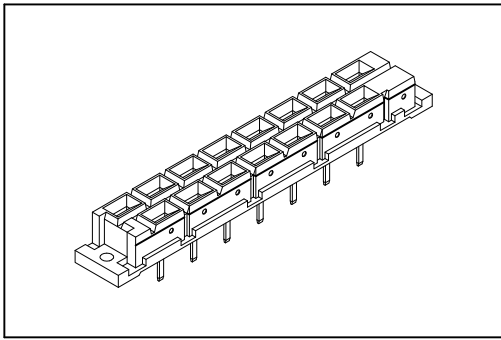


# 9001 Series

## DIN41612 H15 Type Female



### Material:

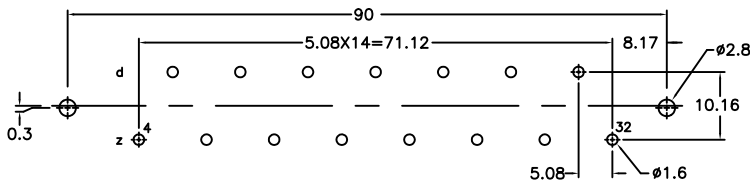
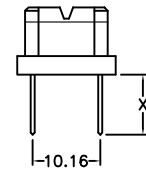
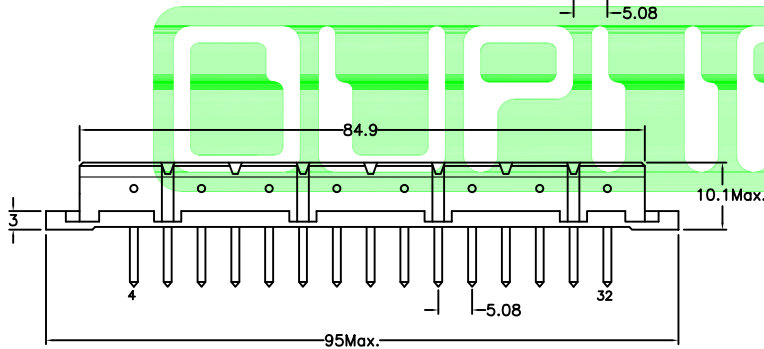
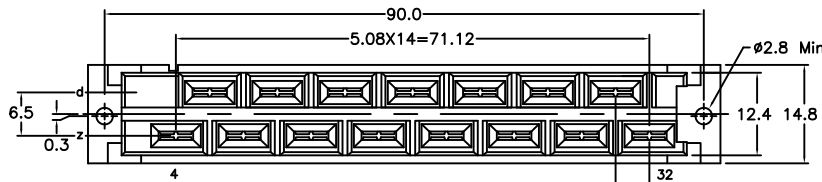
Housing: 30% Glass Filled PBT UL94V-0.  
Contacts: Copper Alloy.

### Electrical Characteristics:

Current Rating: 15 A.  
Dielectric Withstanding Voltage: AC 3100V.  
Insulator Resistance: 1000MΩ min.  
Contact Resistance: 8mΩ max.  
Operating Temperature: -55°C ~+125°C.

### Features:

- \* Power connectors.
- \* Mates with 9001-5115.



P.C. Board Layout

X Length	1	2
	4.0	10.0

## Ordering information

<u>9001-</u>	<u>52</u>	<u>15</u>	<u>1</u>	<u>A</u>	<u>A</u>
Series	2: Female	Position	1: Dip Length 2: Dip Length	A: AG/NI Plating T: TIN/NI Plating	A: Tray Package