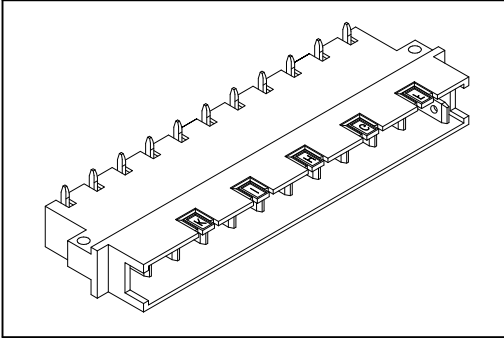


# 9001 Series

## DIN41612 H11 Type Male



### Material:

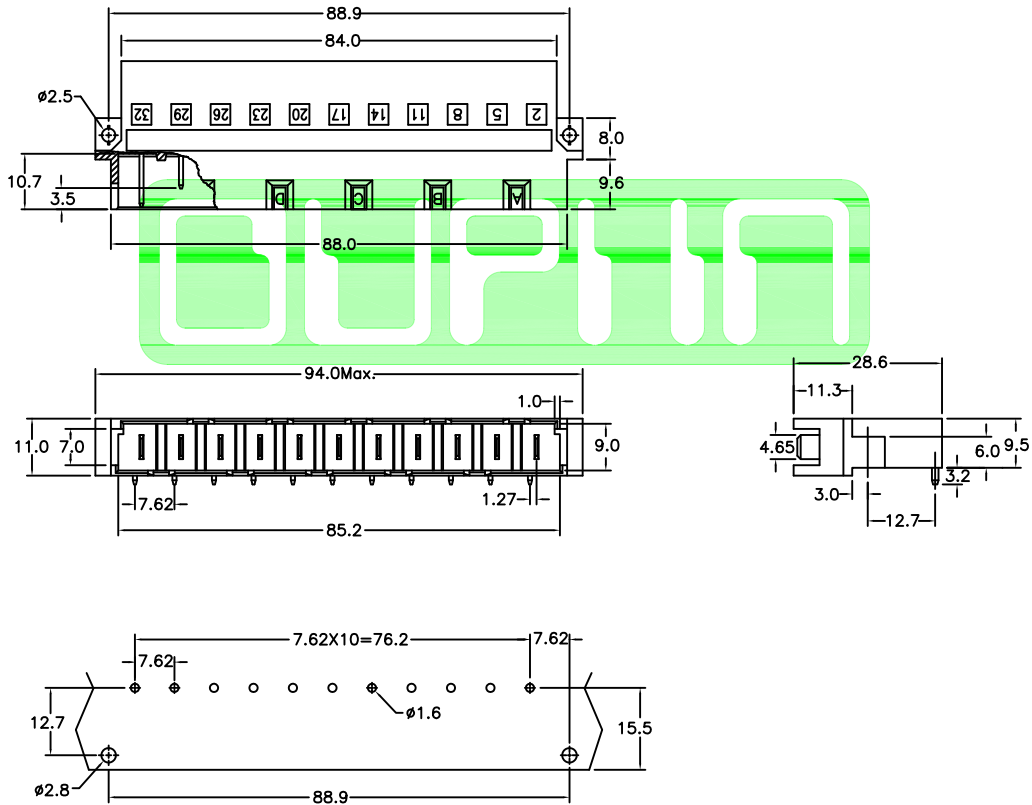
Housing: 30% Glass filled PBT UL94V-0.  
Contacts: Copper Alloy.

### Electrical Characteristics:

Current Rating: 15 A.  
Dielectric Withstanding Voltage: AC 3100V.  
Insulator Resistance: 1000MΩ min.  
Contact Resistance: 8mΩ max.  
Operating Temperature: -55°C~+125°C.

### Features:

- \* Power Connectors.
- \* Mates with H11 Female



P.C. Board Layout

## Ordering information

9001-	51	11	1	T	A
Series	1: Male	Position	1: Z32 Premating 3.5mm	T: TIN/NI Plating	A: Tray Package

\* Additional premating are available upon request, please consult factory.